

Customer Information Sheet

DRAWING No.: M80-459XX98

IF IN DOUBT - ASK

©

NOT TO SCALE

THIRD ANGLE PROJECTION

ALL DIMENSIONS IN mm

SPECIFICATION:

MATERIAL:
 HOUSING = GLASS-FILLED POLYAMIDE 46,
 UL94V-0, BLACK
 IOILOK SCREW, COLLAR = STAINLESS STEEL
 SPRING = MUSIC WIRE

FINISH:
 SPRING = TIN COATED

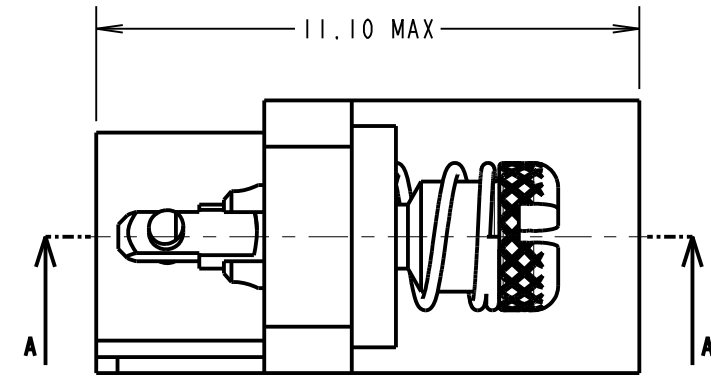
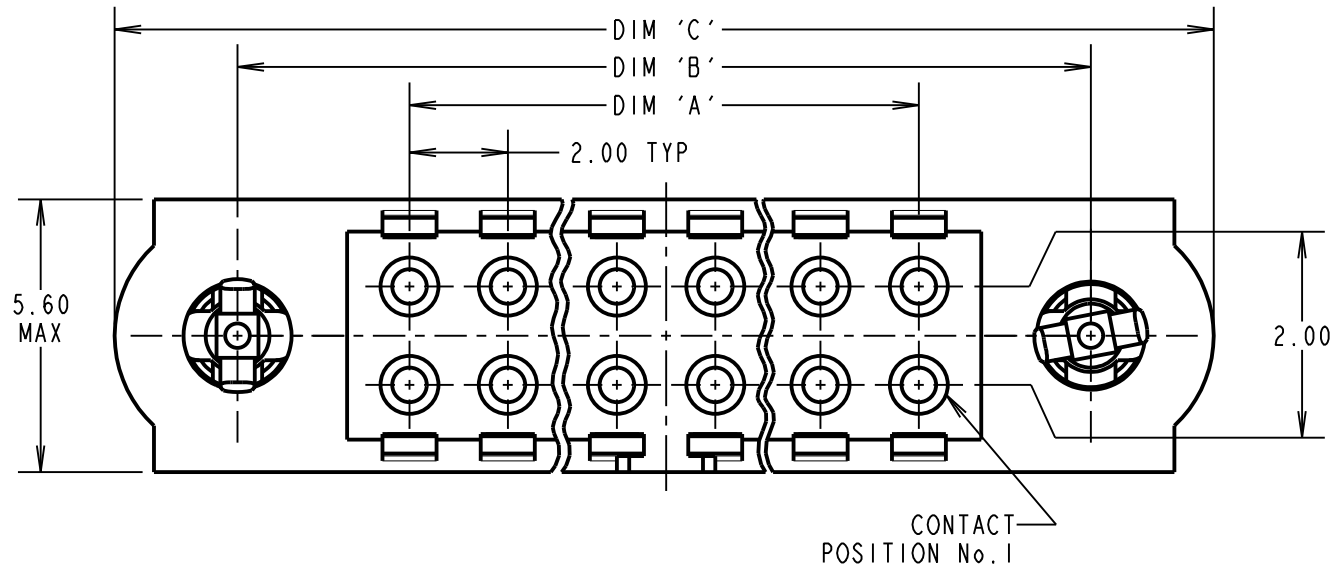
ELECTRICAL:
 CURRENT RATING AT 25°C = 3.3A MAX
 CURRENT RATING AT 85°C = 2.6A MAX
 WORKING VOLTAGE = 800V AC/DC
 VOLTAGE PROOF = 1200V AC/DC
 CONTACT RESISTANCE = 25mΩ MAX
 INSULATION RESISTANCE = 100MΩ MIN

MECHANICAL:
 DURABILITY = 400 OPERATIONS
 INSERTION FORCE = 2.0N MAX
 WITHDRAWAL FORCE = 0.2N MIN

ENVIRONMENTAL:
 TEMPERATURE RANGE = -55°C TO +125°C

PACKING:
 BAG

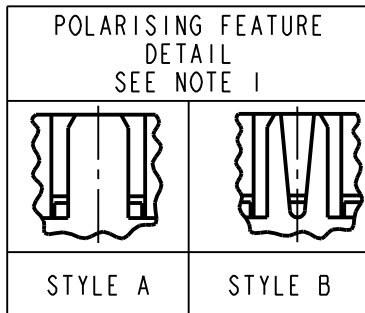
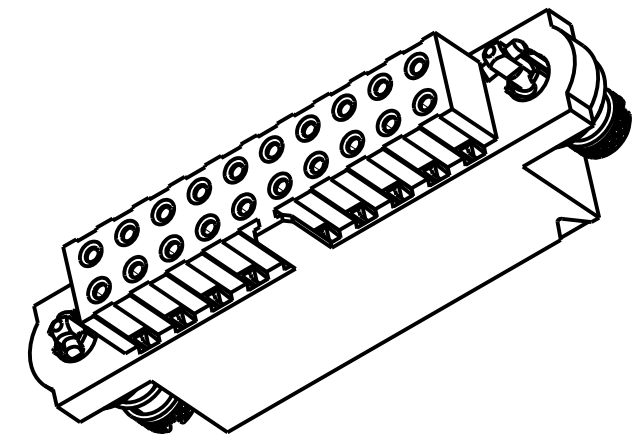
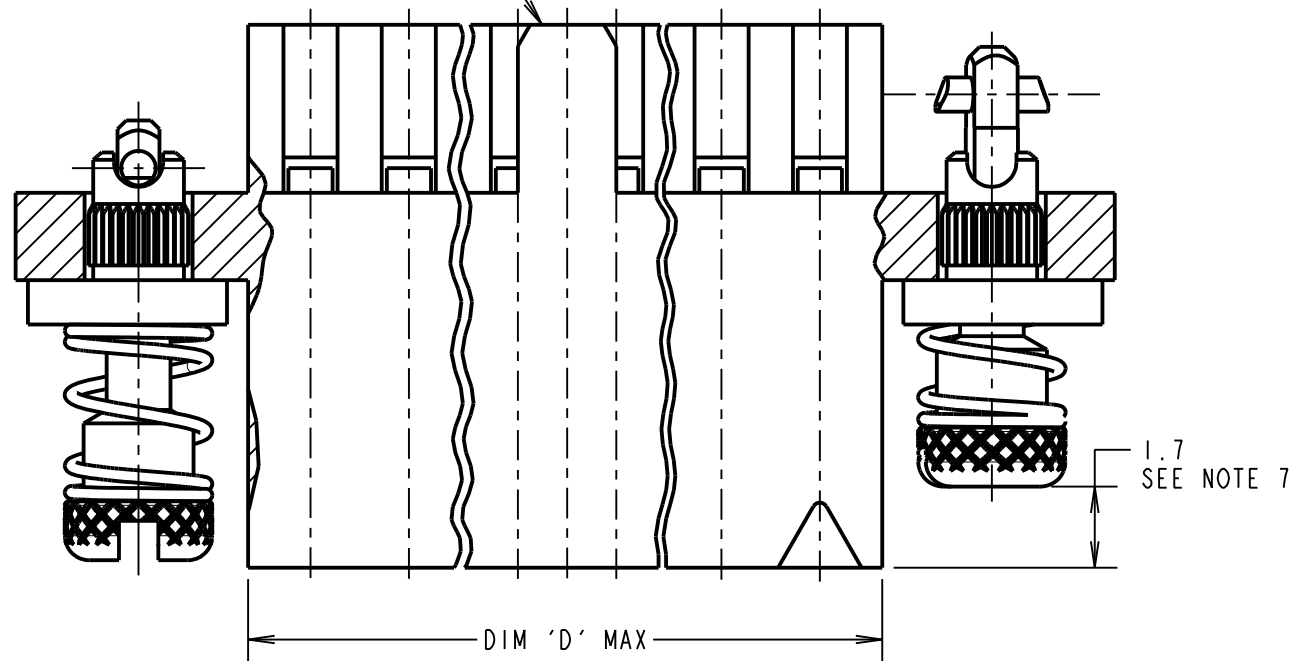
FOR COMPLETE SPECIFICATION,
 SEE COMPONENT SPECIFICATION
 C040XX (LATEST ISSUE)



- NOTES:**
- POLARISING FEATURE STYLE DEPENDANT ON NUMBER OF CONTACT POSITIONS.
 - HOUSING TO BE USED WITH DATAMATE TRIO-TEK CRIMP CONTACTS:
 M80-25300XX = 24-22 AWG REELED
 M80-25400XX = 28-26 AWG REELED
 M80-28300XX = 24-22 AWG LOOSE
 M80-28400XX = 28-26 AWG LOOSE
 - THE SPECIFICATION APPLIES WHEN HOUSING IS USED WITH THE ABOVE CONTACTS.
 - CONTACT EXTRACTION TOOL = Z80-258.
 - INSTRUCTION SHEETS ARE AVAILABLE.
 - SPRING LOAD WHEN SOLID = 2.64N.
 SPRING RATE = 1.32N/mm.
 - LENGTH WILL BE 1.7mm WHEN IOI-SCREWS ARE ENGAGED WITH RETAINERS IN MATING CONNECTOR.

POLARISING FEATURE
 SEE DETAIL

PART SECTION A-A



ORDER CODE:
M80-459XX98

TOTAL No. OF
 CONTACT POSITIONS _____
 04, 06, 08, 10, 12, 14, 20,
 26, 28, 34, 42, 50

PLEASE CONTACT
 datamate@harwin.com
 FOR CURRENT AVAILABILITY

RTP	7	17.05.19	21531
NAME	ISS.	DATE	C/NOTE
APPROVED: R.PORTLOCK			
CHECKED: M.RUDKIN			
DRAWN: S.FLOWER			
CUSTOMER REF.:			
ASSEMBLY DRG:			

DIMENSION	CALCULATION
DIM 'A'	TOTAL No. OF CONTACT POSITIONS - 2
DIM 'B'	TOTAL No. OF CONTACT POSITIONS + 5
DIM 'C'	TOTAL No. OF CONTACT POSITIONS + 10
DIM 'D'	TOTAL No. OF CONTACT POSITIONS + 0.59

EXAMPLE: CONNECTOR WITH 20 CONTACT POSITIONS, M80-4592098
 DIM 'A' = 18.00mm, DIM 'B' = 25.00mm, DIM 'C' = 30.00mm

HARWIN

www.harwin.com
 technical@harwin.com

THIS DRAWING AND ANY
 INFORMATION OR DESCRIPTIVE
 MATTER SET OUT HEREON ARE
 CONFIDENTIAL AND COPYRIGHT
 PROPERTY OF THE HARWIN
 GROUP AND MUST NOT BE
 DISCLOSED, LOANED, COPIED
 OR USED FOR MANUFACTURING,
 TENDERING OR FOR ANY
 OTHER PURPOSE WITHOUT
 THEIR WRITTEN PERMISSION.

TOLERANCES
 X. = ±1mm
 X.X = ±0.50mm
 X.XX = ±0.20mm
 X.XXX = ±0.01mm
 ANGLES = ±5°
 UNLESS STATED

MATERIAL:
 SEE ABOVE
FINISH: SEE ABOVE
S/AREA: mm²

TITLE: DATAMATE TRIO-TEK
 FEMALE CRIMP HOUSING
 WITH IOILOK JACKSCREWS

DRAWING NUMBER:
M80-459XX98

SHT
 2 OF 2