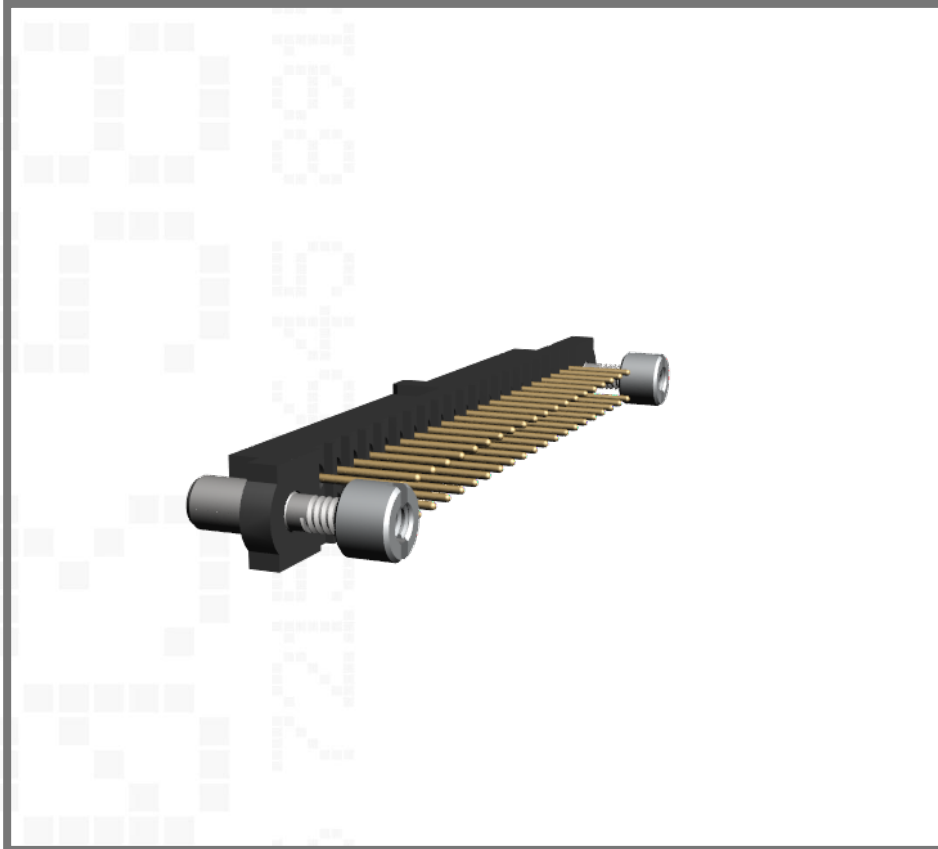


M80-4064205

Datamate J-Tek DIL Female Vertical PC Tail Connector, 2mm Pitch



Technical Drawing:

[M80-406.pdf](#)

Website:

[M80-4064205](#)

Component Specification:

[C005XX](#)

[Request an evaluation sample](#)

4.5mm Tail, Reverse Fix Jackscrews, Gold Clip + Gold Shell, 21+21 contacts