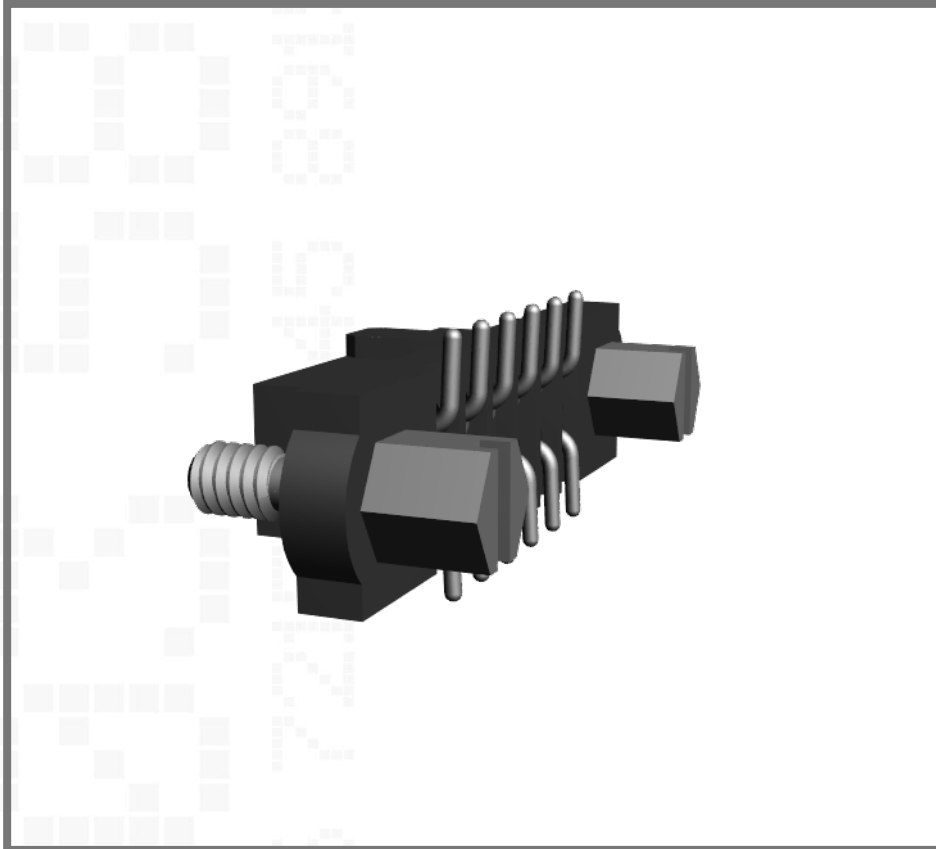


## M80-4021242

Datamate J-Tek DIL Female Vertical SMT Connector, 2mm Pitch



Technical Drawing:

[M80-402.pdf](#)

Website:

[M80-4021242](#)

Component Specification:

[C005XX](#)

[Request an evaluation sample](#)

Hexagonal Slotted Jackscrews, Gold Clip + Tin Shell, 6+6 contacts