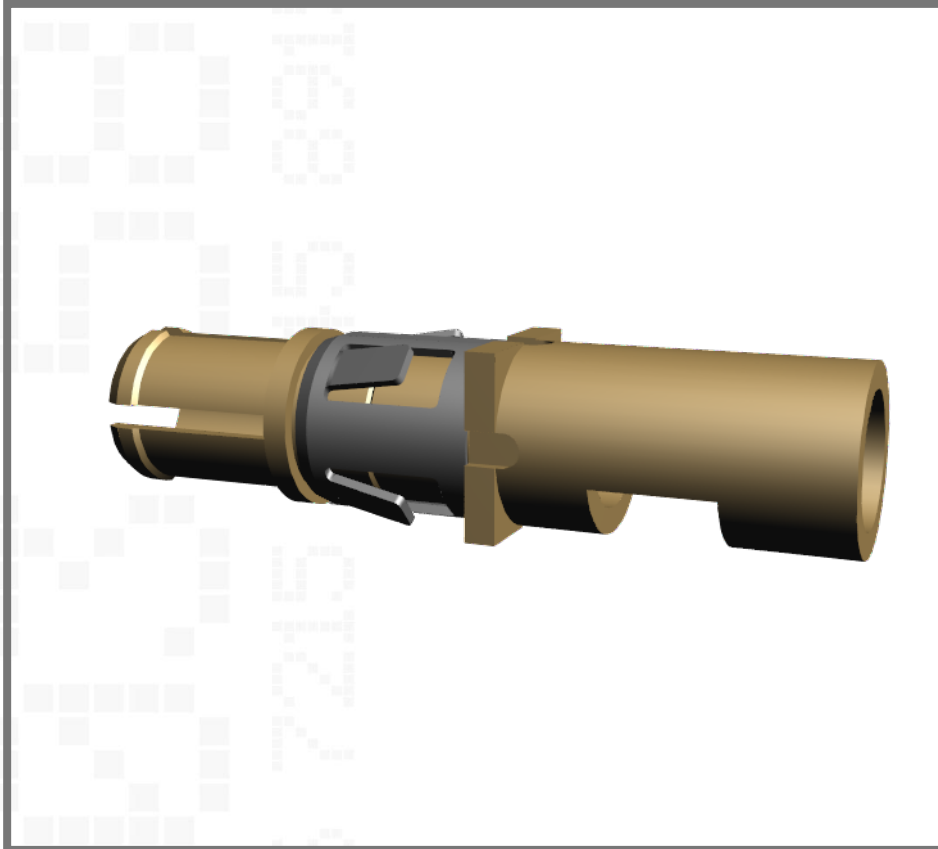


## M80-336

Datamate Mix-Tek Male Straight Solder Power Contact



14AWG, Gold

Technical Drawing:

[M80-336-337.pdf](#)

Website

[M80-336](#)

Component Specification:

[C005XX](#)

[Request an evaluation sample](#)