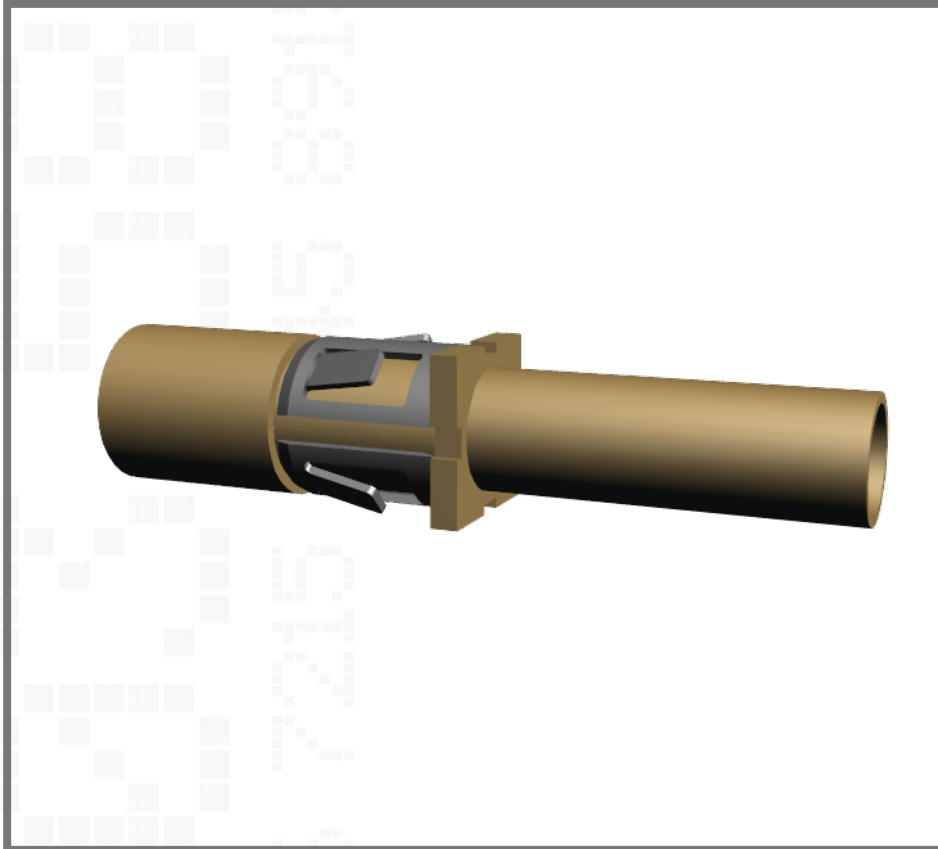


M80-328

Datamate Mix-Tek Female Straight Crimp Power Contact



18AWG, Gold

Technical Drawing:

[M80-328-329.pdf](#)

Website

[M80-328](#)

Component Specification:

[C005XX](#)

[Request an evaluation sample](#)