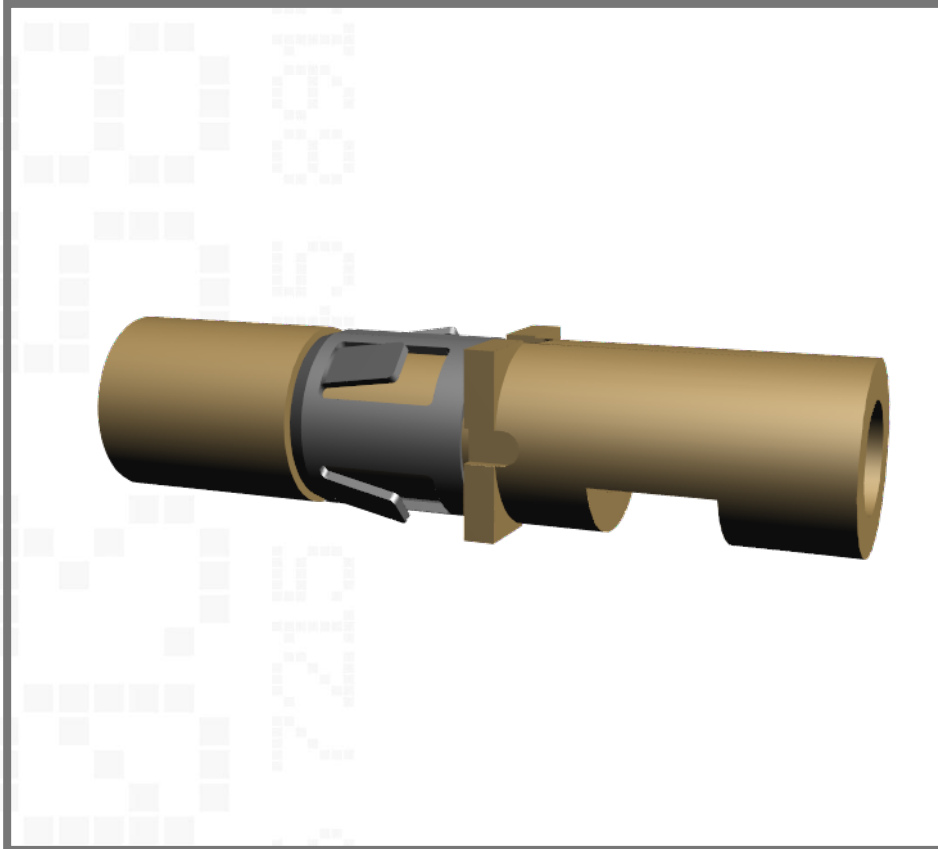


M80-327

Datamate Mix-Tek Female Straight Solder Power Contact



16AWG, Gold

Technical Drawing:

[M80-326-327-32D.pdf](#)

Website

[M80-327](#)

Component Specification:

[C005XX](#)

[Request an evaluation sample](#)