

# Customer Information Sheet

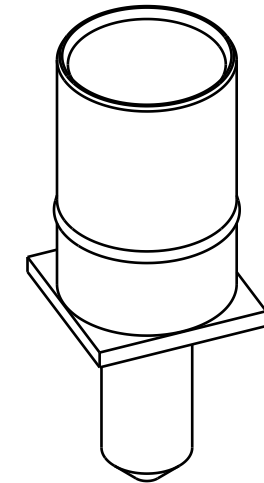
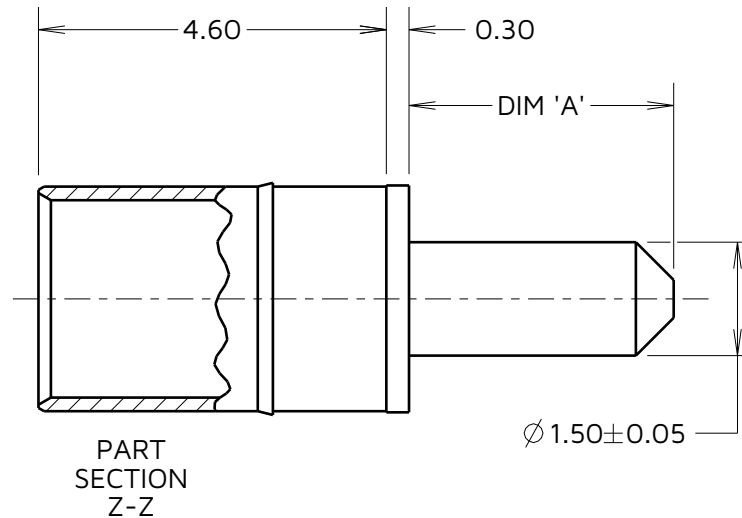
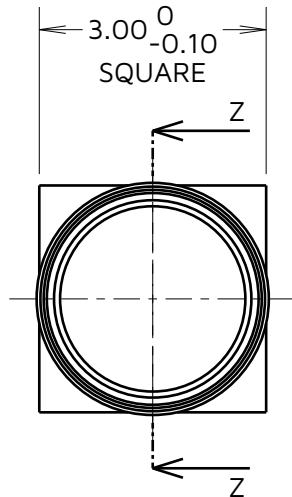
IF IN DOUBT - ASK



NOT TO SCALE

THIRD ANGLE PROJECTION

ALL DIMENSIONS IN mm



PART No.	DIM 'A'
M80-321	3.50
M80-322	5.00

MGP	9	26.07.23	32802
NAME	ISS.	DATE	CN/CO
APPROVED: MGP			
CHECKED: RTP			
DRAWN: W. J. BOURNE			
ASSEMBLY DRG:			
PART WEIGHT:		MAT'L USAGE:	

SPECIFICATIONS:  
 MATERIALS:  
 BODY = COPPER ALLOY  
 FINISH:  
 BODY = GOLD

NOTES:  
 1. RECOMMENDED PCB HOLE SIZE =  $\phi$  1.60mm MIN.  
 2. FOR ALL OTHER ELECTRICAL/MECHANICAL REQUIREMENTS,  
 SEE COMPONENT SPECIFICATION CO05XX (LATEST ISSUE).

**HARWIN**

www.harwin.com

TOLERANCES  
 X. =  $\pm$ 1mm  
 X.X =  $\pm$ 0.50mm  
 X.XX =  $\pm$ 0.20mm  
 X.XXX =  $\pm$ 0.01mm  
 ANGLES =  $\pm$ 5°  
 UNLESS STATED

THIS DRAWING AND ANY INFORMATION OR DESCRIPTIVE MATTER SET OUT HEREON ARE CONFIDENTIAL AND COPYRIGHT PROPERTY OF THE HARWIN GROUP AND MUST NOT BE DISCLOSED, LOANED, COPIED OR USED FOR MANUFACTURING, TENDERING OR FOR ANY OTHER PURPOSE WITHOUT THEIR WRITTEN PERMISSION.

MATERIAL:  
 SEE ABOVE

FINISH: SEE ABOVE  
 S/AREA: mm<sup>2</sup>

TITLE: DATAMATE MIX-TEK  
 POWER CONTACT  
 FEMALE VERTICAL PC-TAIL

DRAWING NUMBER:  
 M80-321 TO M80-322

SHT  
 2  
 OF 2