

# Customer Information Sheet

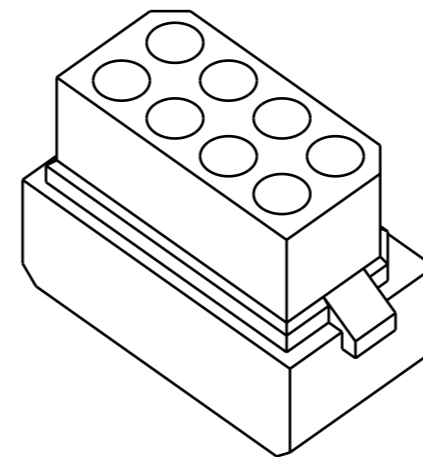
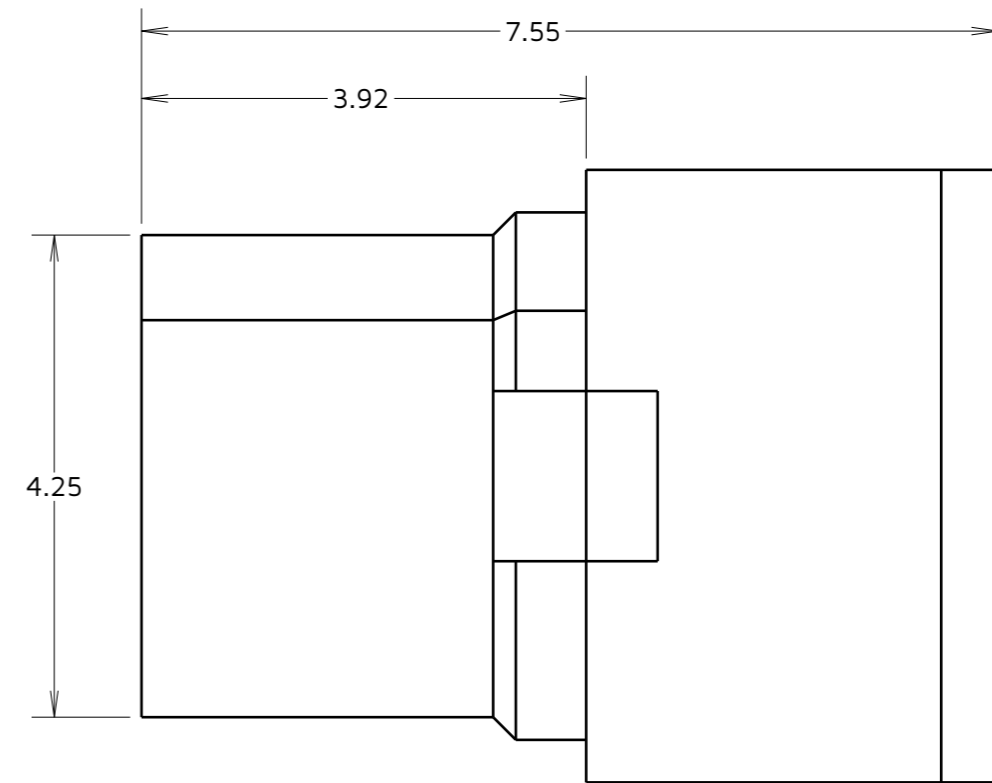
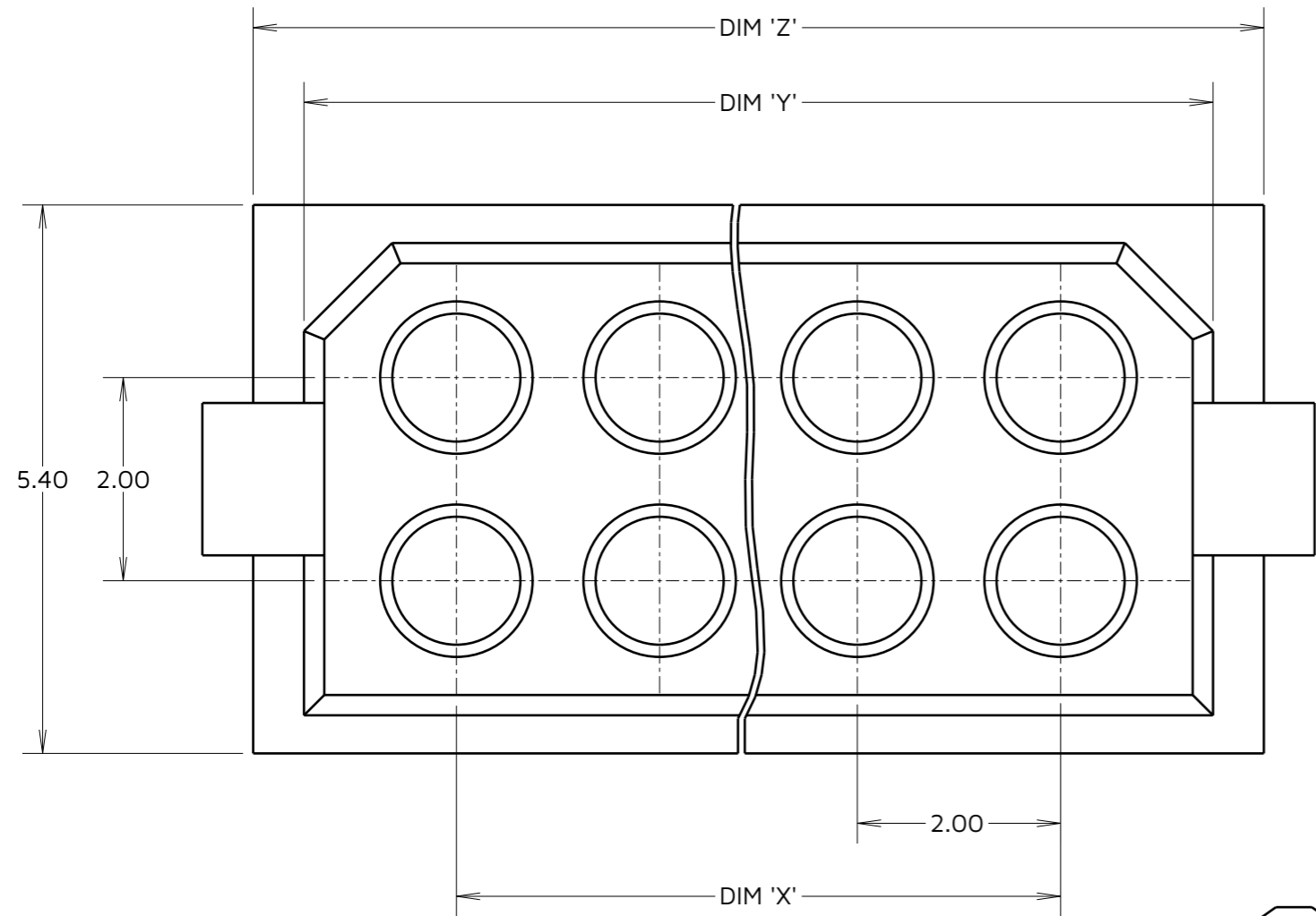
IF IN DOUBT - ASK



NOT TO SCALE

THIRD ANGLE PROJECTION

ALL DIMENSIONS IN mm



PART No.	DIM 'X'	DIM 'Y'	DIM 'Z'
M80-1030498	2.00	4.60	6.00
M80-1030698	4.00	6.60	8.00
M80-1030898	6.00	8.60	10.00
M80-1031098	8.00	10.60	12.00
M80-1031298	10.00	12.60	14.00
M80-1031498	12.00	14.60	16.00
M80-1031698	14.00	16.60	18.00
M80-1031898	16.00	18.60	20.00
M80-1032098	18.00	20.60	22.00
M80-1032698	24.00	26.60	28.00
M80-1033498	32.00	34.60	36.00

JD	16	29.08.24	34525
NAME	ISS.	DATE	CN/CO
APPROVED:		J.DEAN	
CHECKED:		A.BOXALL	
DRAWN:		M.PERREN	

NOTES:  
 1. SUITABLE FOR USE WITH M80-011XX & M80-01300XX CRIMP SOCKETS  
 2. SPECIFICATION:  
 MATERIAL = GLASS FILLED POLYESTER UL94V-0 (BLACK)  
 FOR FULL SPECIFICATION REFER TO COMPONENT SPECIFICATION C005XX (LATEST ISSUE)

**HARWIN**

www.harwin.com

TOLERANCES  
 X. = ±1mm  
 X.X = ±0.50mm  
 X.XX = ±0.20mm  
 X.XXX = ±0.01mm  
 ANGLES = ±5°  
 UNLESS STATED

THIS DRAWING AND ANY INFORMATION OR DESCRIPTIVE MATTER SET OUT HEREON ARE CONFIDENTIAL AND COPYRIGHT PROPERTY OF THE HARWIN GROUP AND MUST NOT BE DISCLOSED, LOANED, COPIED OR USED FOR MANUFACTURING, TENDERING OR FOR ANY OTHER PURPOSE WITHOUT THEIR WRITTEN PERMISSION.

MATERIAL:  
 M80-103XX98  
 (SEE ABOVE)

TITLE:  
**DATAMATE CRIMP DIL HOUSING**  
 DRAWING NUMBER:  
**M80-103XX98S**