

# Customer Information Sheet

DRAWING No.: M50-360XX42R

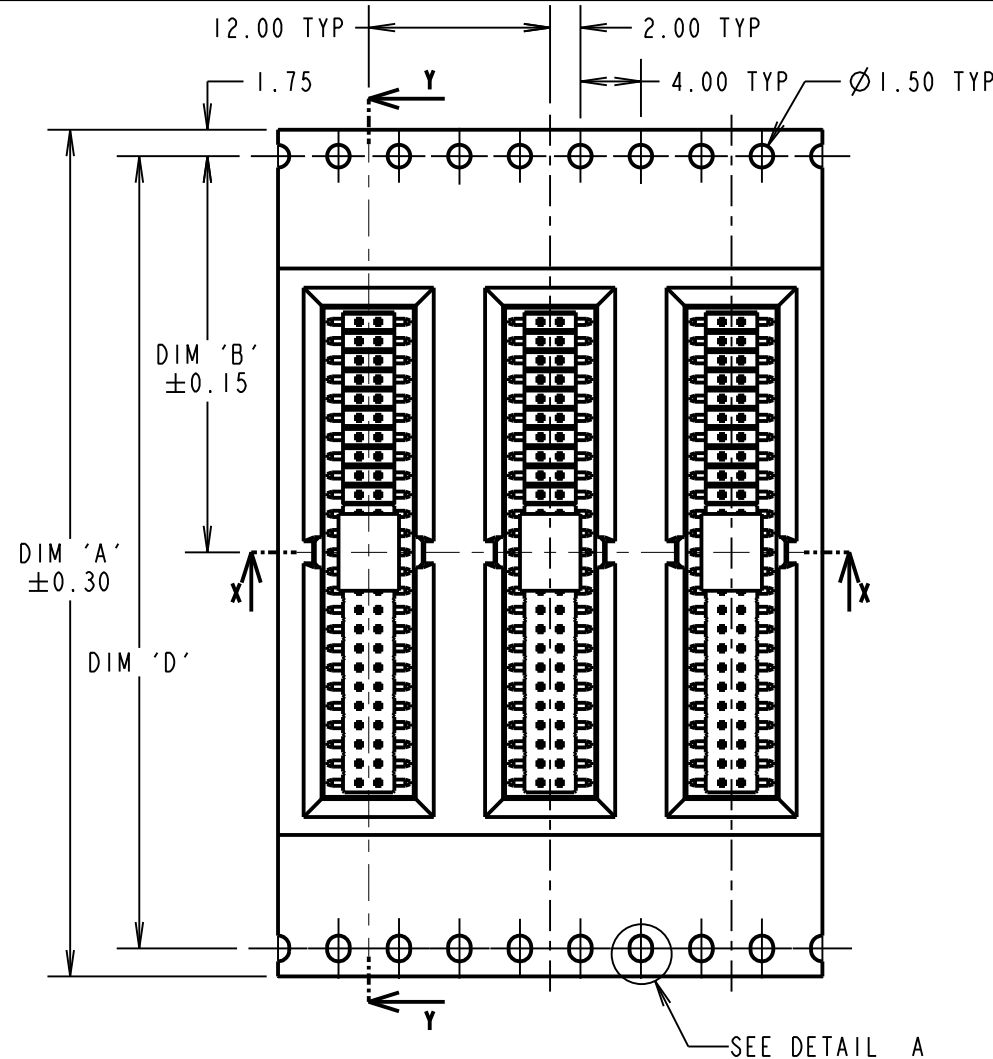
IF IN DOUBT - ASK

©

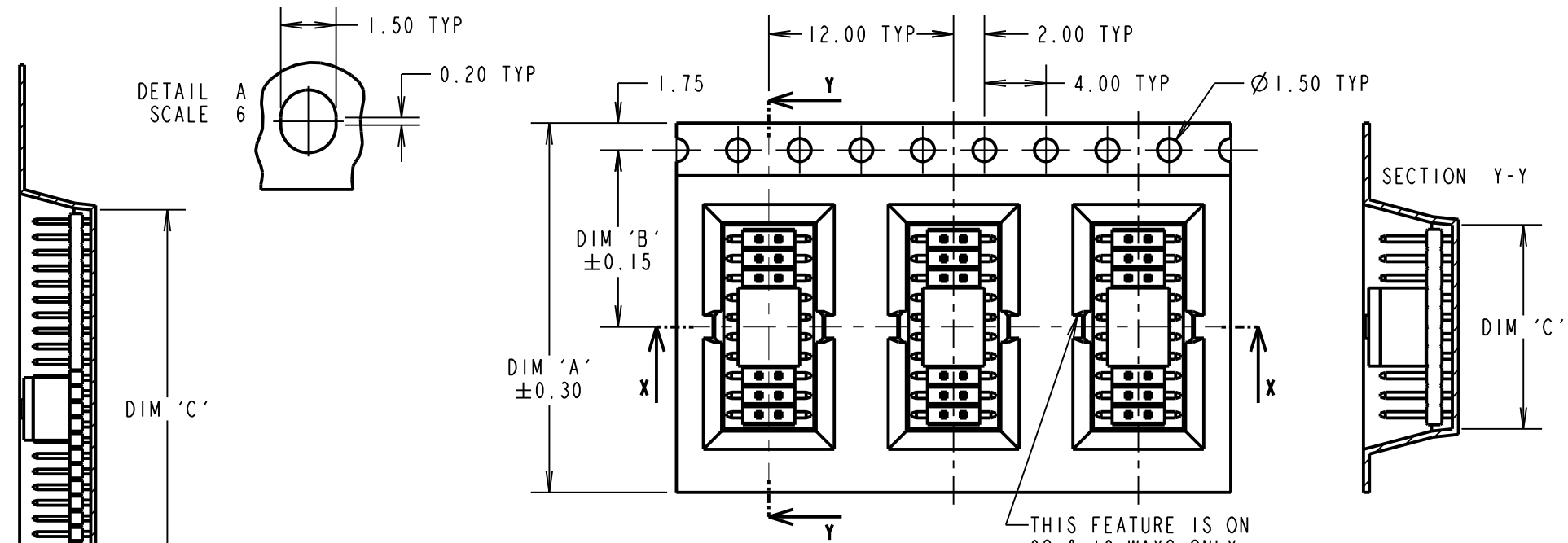
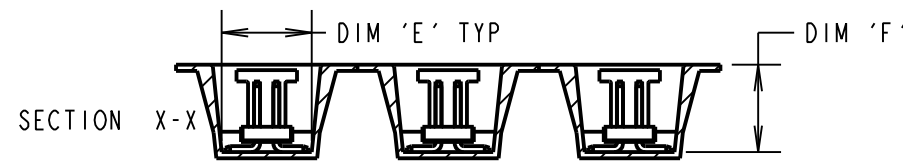
NOT TO SCALE

THIRD ANGLE PROJECTION

ALL DIMENSIONS IN mm



TAPE DETAILS FOR 20 & 25 WAYS



TAPE DETAILS FOR 02, 03, 04, 05, 06, 08 & 10 WAYS

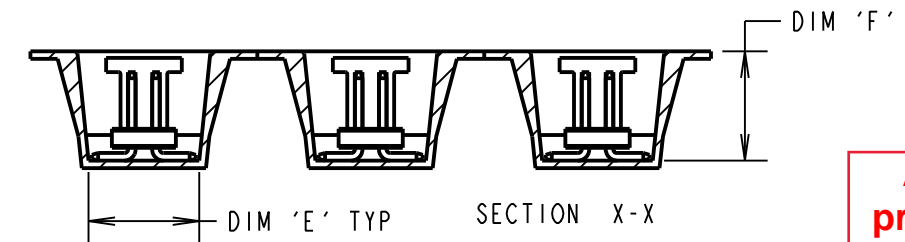
**OBSOLETE**  
All other size/finish combinations not listed below

ORDER CODE:

**M50-360XX42R**

No. OF CONTACTS PER ROW:  
02, 03, 04, 05, 06, 08, 10, 20, 25

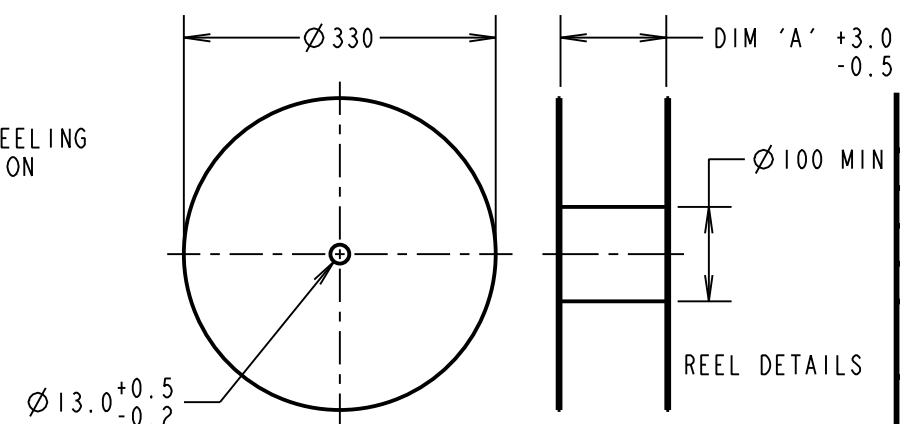
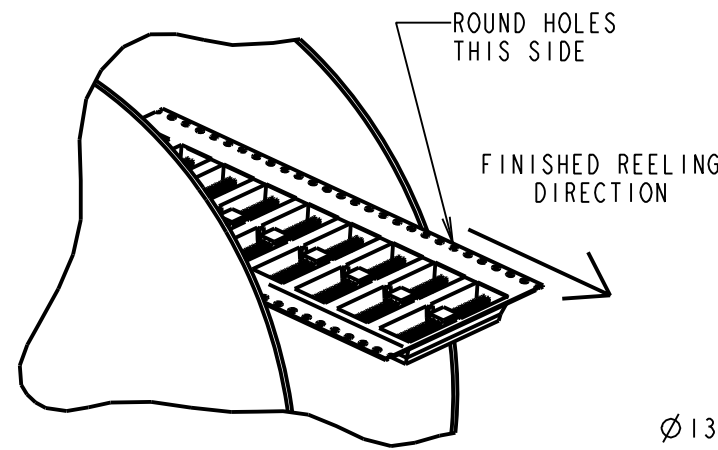
FINISH:  
42 = SELECTIVE GOLD & 100% TIN OVER NICKEL



**Active products:**

- M50-3600242R
- M50-3600342R
- M50-3600542R
- M50-3600642R
- M50-3600842R
- M50-3601042R
- M50-3602542R

REELED PART No.	DIM 'A'	DIM 'B'	DIM 'C'	DIM 'D'	DIM 'E'	DIM 'F'	REEL QTY
M50-3600242R	16.00	7.50	3.60	N/A	5.85	5.78	750
M50-3600342R			4.00		5.78		
<del>M50-3600442R</del>			5.40		5.78		
M50-3600542R	24.00	11.50	6.65	N/A	5.90	6.15	800
M50-3600642R			7.90		5.85		
M50-3600842R			10.79		6.00		
M50-3601042R			13.00		5.85		
<del>M50-3602042R</del>	44.00	20.20	25.70	40.40	5.95	5.78	750
M50-3602542R	56.00	26.20	32.10	52.40	5.95		



MGP	15	10.08.20	30130
NAME	ISS.	DATE	CN/CO
APPROVED: MGP			
CHECKED: RA			
DRAWN: R.ADDE			
CUSTOMER REF.:			
ASSEMBLY DRG:			

- NOTES:
- CUMULATIVE TOLERANCES OVER 10 PITCHES = ±0.20mm
  - TAPE & REELING TO BE IN ACCORDANCE WITH EIA-481 (ELECTRONIC INDUSTRIES ASSOCIATION).
  - FOR CONNECTOR DETAILS SEE SHEET 4.

**HARWIN**  
www.harwin.com  
technical@harwin.com

THIS DRAWING AND ANY INFORMATION OR DESCRIPTIVE MATTER SET OUT HEREON ARE CONFIDENTIAL AND COPYRIGHT PROPERTY OF THE HARWIN GROUP AND MUST NOT BE DISCLOSED, LOANED, COPIED OR USED FOR MANUFACTURING, TENDERING OR FOR ANY OTHER PURPOSE WITHOUT THEIR WRITTEN PERMISSION.

TOLERANCES  
X. = ±1mm  
X.X = ±0.50mm  
X.XX = ±0.20mm  
X.XXX = ±0.01mm  
ANGLES = ±5°  
UNLESS STATED

MATERIAL:  
SEE ABOVE  
FINISH: SEE ABOVE  
S/AREA: mm<sup>2</sup>

TITLE: 1.27mm PITCH DIL SMT VERT  
LOW PROFILE SOCKET ASSY  
(TAPE & REEL)

DRAWING NUMBER:  
**M50-360XX42R**

SHT  
3  
OF  
4

# Customer Information Sheet

DRAWING No.: M50-360XX42R

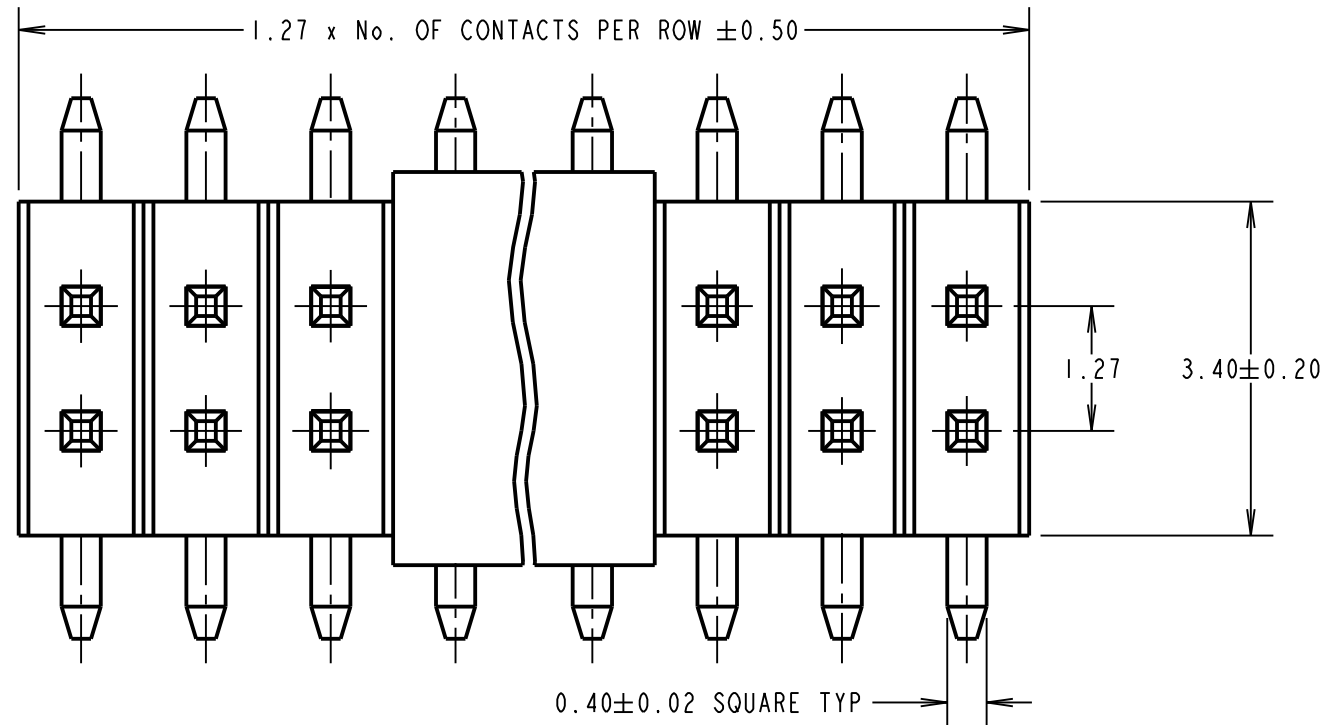
IF IN DOUBT - ASK

©

NOT TO SCALE

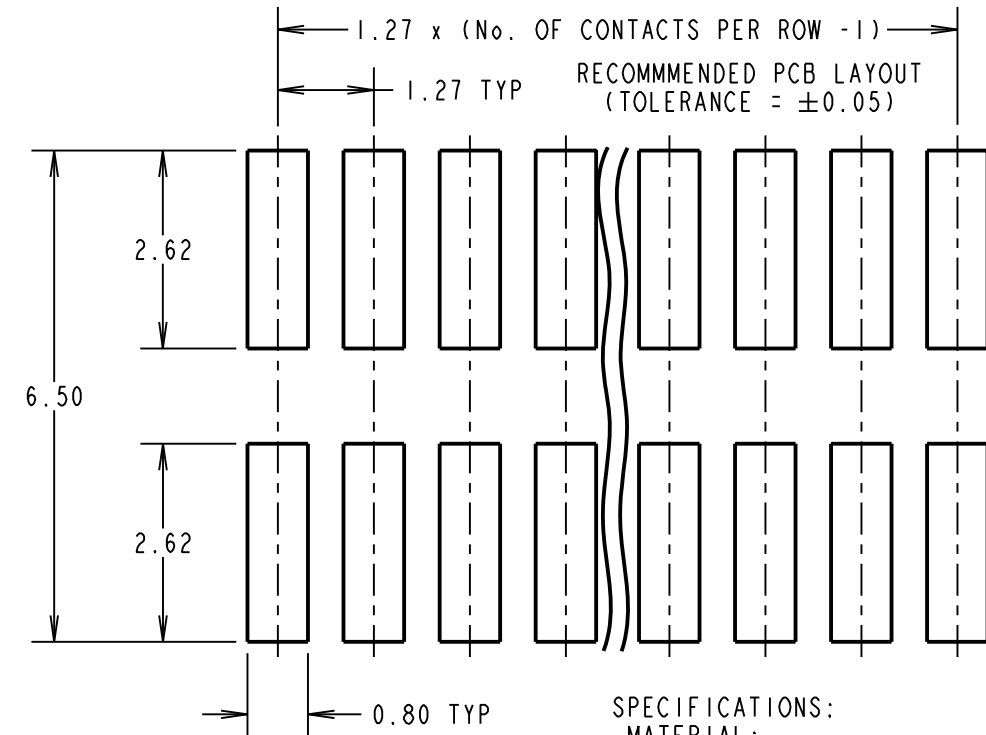
THIRD ANGLE PROJECTION

ALL DIMENSIONS IN mm



**Active products:**

- M50-3600242R
- M50-3600342R
- M50-3600542R
- M50-3600642R
- M50-3600842R
- M50-3601042R
- M50-3602542R



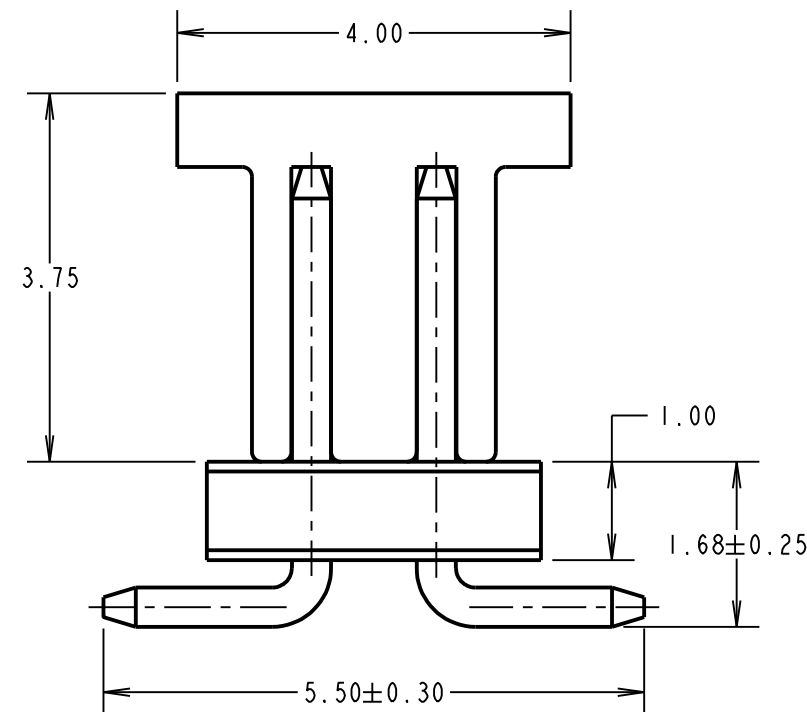
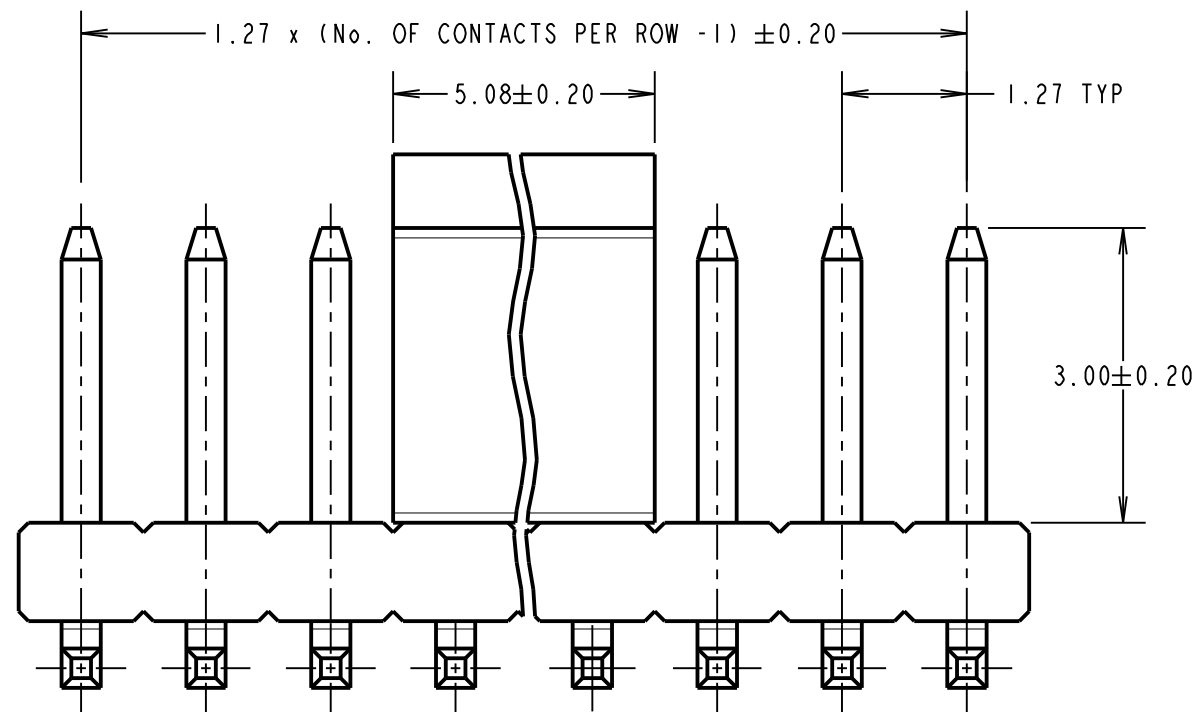
**SPECIFICATIONS:**

**MATERIAL:**  
 MOULDING = HIGH TEMP THERMOPLASTIC, UL94V-0, BLACK  
 CONTACTS = COPPER ALLOY  
**FINISH:**  
 CONTACTS = 0.70 TO 1.30  $\mu\text{m}$  NICKEL ALL OVER, 0.08 TO 0.15  $\mu\text{m}$  GOLD ON CONTACT AREA, 2.50 TO 3.00  $\mu\text{m}$  100% TIN ON TAILS

**ELECTRICAL:**  
 CURRENT RATING = 1A  
 CONTACT RESISTANCE = 20m $\Omega$  MAX  
 INSULATION RESISTANCE = 1000M $\Omega$  MIN  
 DIELECTRIC WITHSTANDING = 500V AC FOR ONE MINUTE

**MECHANICAL:**  
 DURABILITY = 300 CYCLES MIN  
**ENVIRONMENTAL:**  
 TEMPERATURE RANGE = -40°C TO +105°C

**PACKING:**  
 BOX  
 FOR COMPLETE SPECIFICATION, SEE COMPONENT SPECIFICATION C029XX (LATEST ISSUE)



**OBSOLETE**

All other size/finish combinations not listed above

ORDER CODE:

**M50-360XX42R**

No. OF CONTACTS PER ROW: \_\_\_\_\_  
 02, 03, 04, 05, 06, 08, 10, 20, 25

FINISH: \_\_\_\_\_  
 42 = SELECTIVE GOLD & 100% TIN OVER NICKEL

**NOTES:**

1. CO-PLANARITY OF TAILS FOR 02 TO 30 CONTACTS PER ROW = 0.15mm, 31 TO 50 CONTACTS PER ROW = 0.20mm.
2. ALL TOLERANCES ARE  $\pm 0.15$ , UNLESS OTHERWISE STATED.
3. FOR TAPE AND REEL DETAILS, SEE SHEET 3.

**HARWIN**

www.harwin.com  
 technical@harwin.com

THIS DRAWING AND ANY INFORMATION OR DESCRIPTIVE MATTER SET OUT HEREON ARE CONFIDENTIAL AND COPYRIGHT PROPERTY OF THE HARWIN GROUP AND MUST NOT BE DISCLOSED, LOANED, COPIED OR USED FOR MANUFACTURING, TENDERING OR FOR ANY OTHER PURPOSE WITHOUT THEIR WRITTEN PERMISSION.

**TOLERANCES**  
 X =  $\pm 1\text{mm}$   
 X.X =  $\pm 0.50\text{mm}$   
 X.XX =  $\pm 0.20\text{mm}$   
 X.XXX =  $\pm 0.01\text{mm}$   
 ANGLES =  $\pm 5^\circ$   
 UNLESS STATED

**MATERIAL:**  
 SEE ABOVE  
**FINISH:** SEE ABOVE  
**S/AREA:** mm<sup>2</sup>

**TITLE:** 1.27mm PITCH DIL SMT VERT LOW PROFILE SOCKET ASSY (TAPE & REEL)

**DRAWING NUMBER:** M50-360XX42R

MGP	15	10.08.20	30130
NAME	ISS.	DATE	CN/CO
APPROVED: MGP			
CHECKED: RA			
DRAWN: R.ADDE			
CUSTOMER REF.:			
ASSEMBLY DRG:			