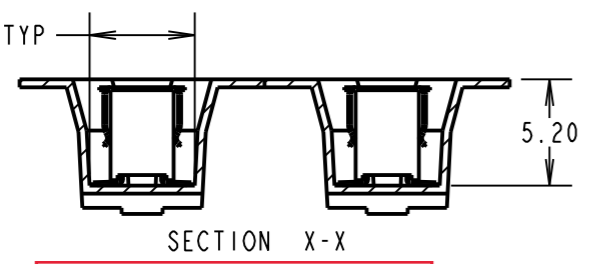
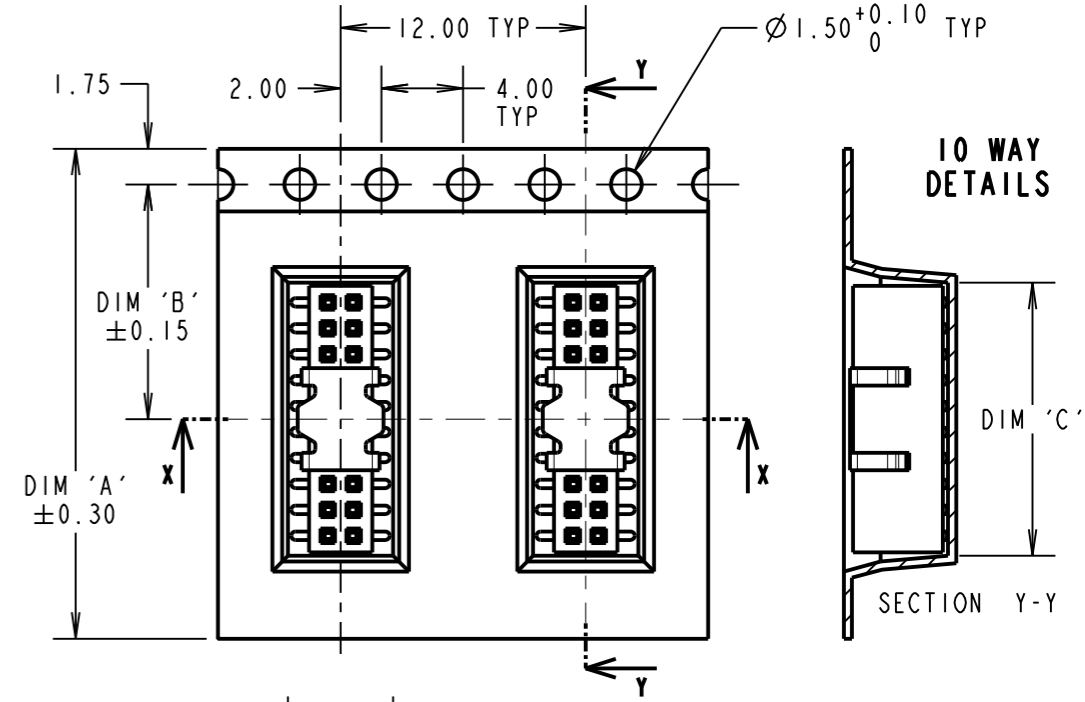
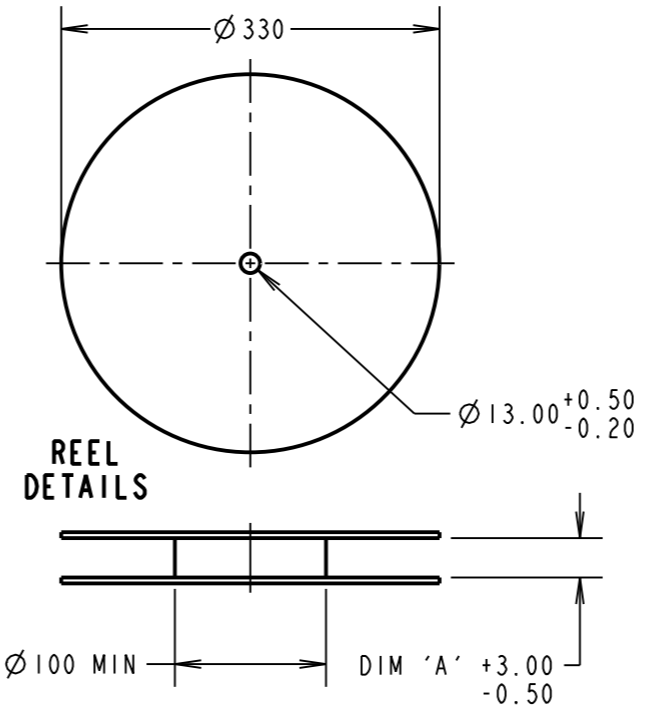
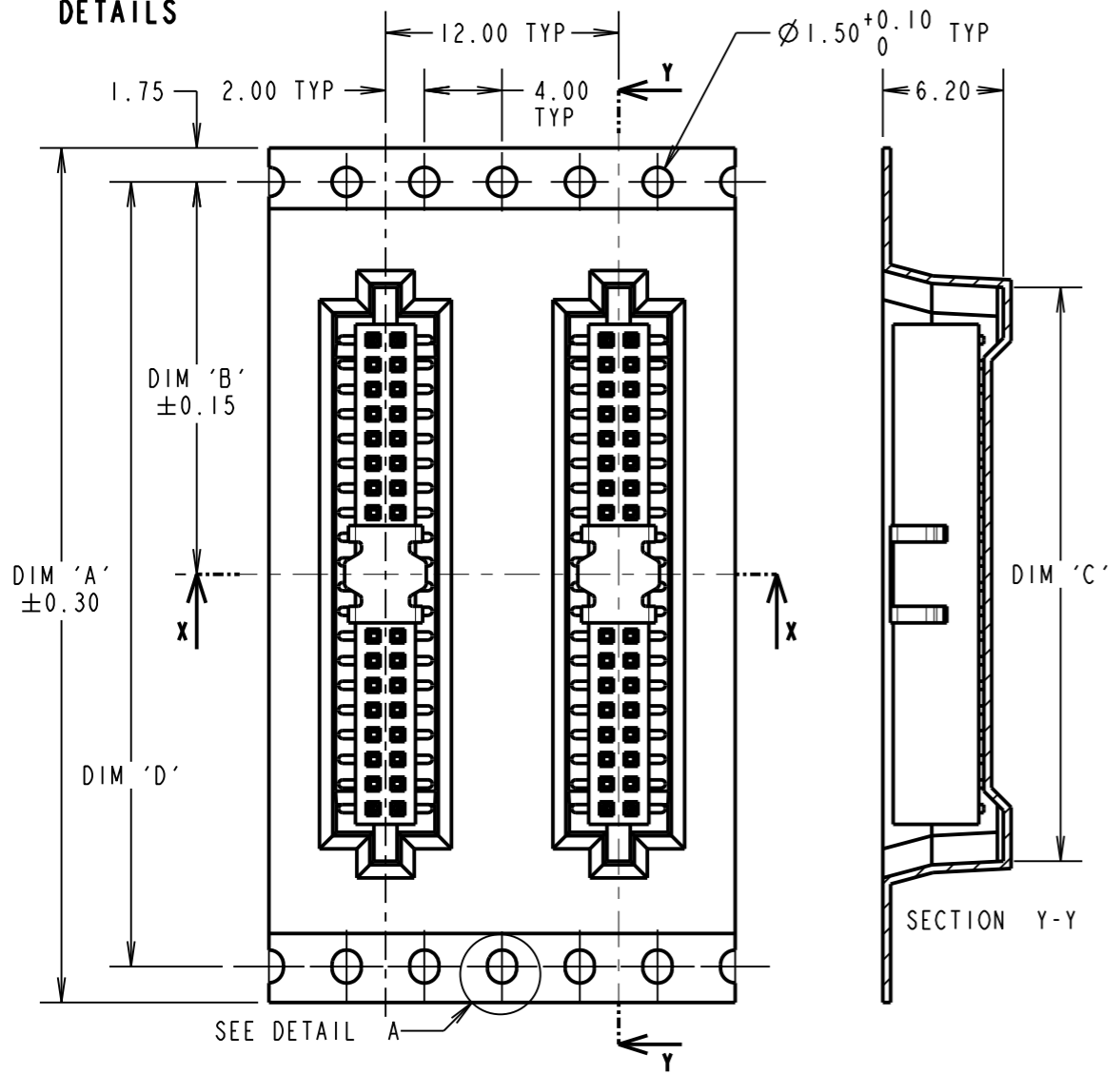


Customer Information Sheet

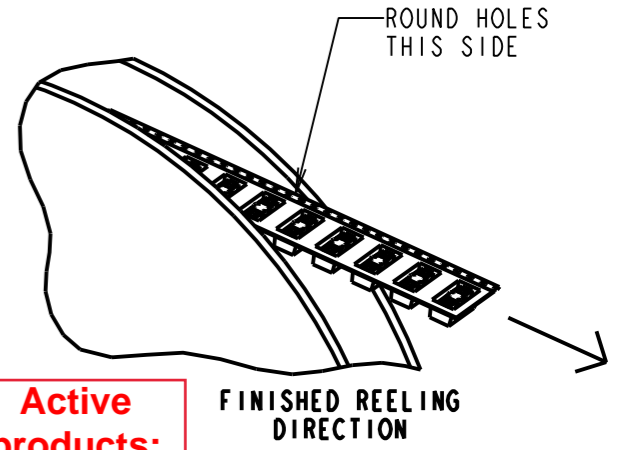
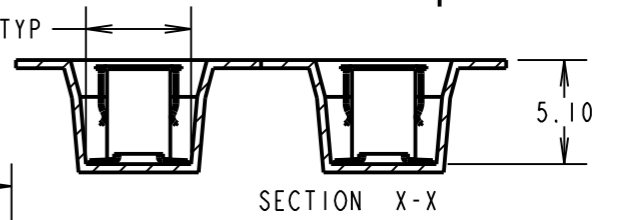
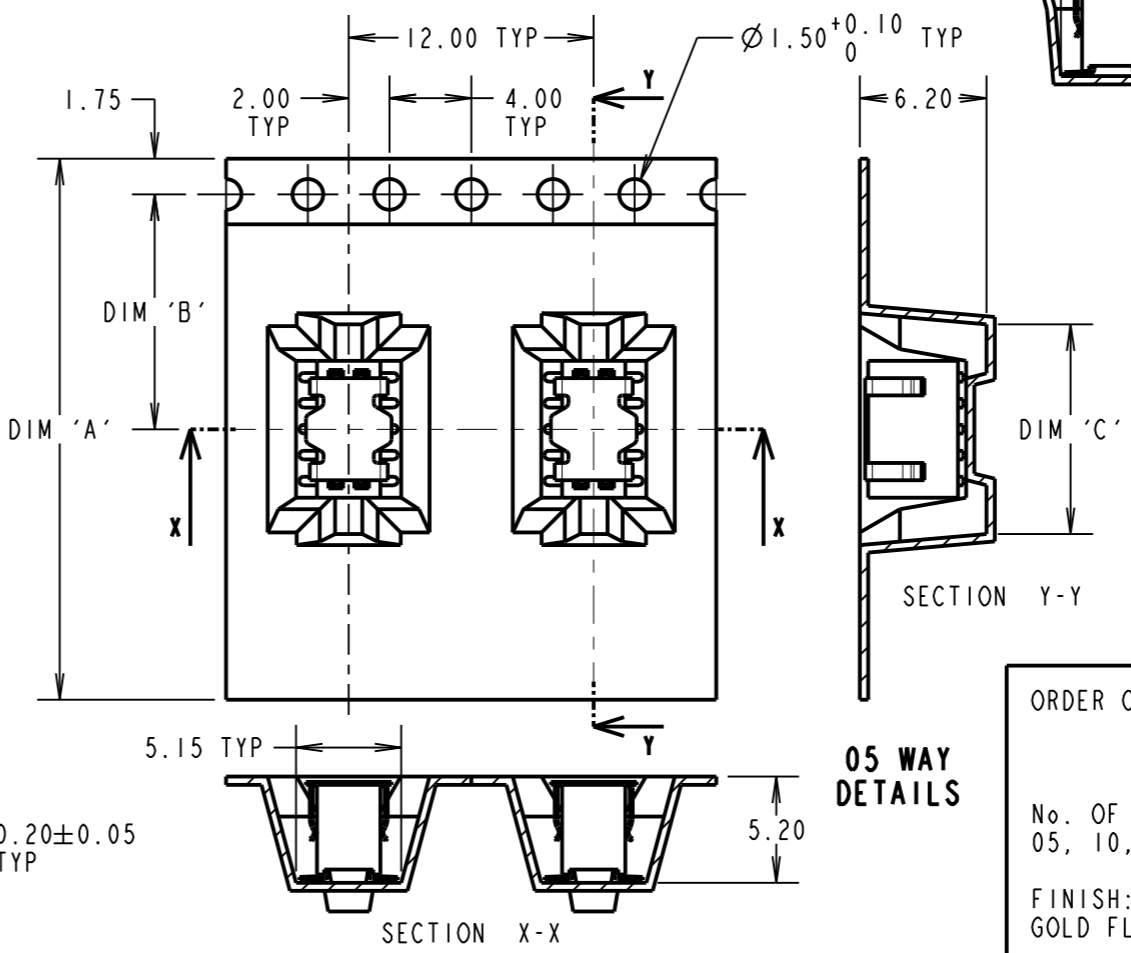
DRAWING No.: M50-310XX45R SHEET 3 OF 4 IF IN DOUBT - ASK (C) NOT TO SCALE THIRD ANGLE PROJECTION ALL DIMENSIONS IN mm

20 & 25 WAY DETAILS



OBSOLETE
All other size/finish combinations not listed

- NOTES:
 1. FOR CONNECTOR DETAILS, SEE SHEET 4.
 2. TAPE & REEL IS IN ACCORDANCE WITH EIA-481 (ELECTRONIC INDUSTRIES ASSOCIATION).
 3. PICK & PLACE CAP IS THE SAME FOR ALL SIZES.



Active products:
M50-3100545R

ORDER CODE: **M50-310XX45R**
 No. OF CONTACTS PER ROW: 05, 10, 20, 25
 FINISH: GOLD FLASH OVER NICKEL

SB	4	21.01.13	11828
NAME	ISS.	DATE	C/NOTE
APPROVED: S.BENNETT			
CHECKED: S.FLOWER			
DRAWN: R.ADE			
CUSTOMER REF.:			
ASSEMBLY DRG:			

PART NUMBER	DIM 'A' ±0.30	DIM 'B'	DIM 'C'	DIM 'D'	QTY PER REEL
M40-3100545R	24.00	11.50	10.50	N/A	900
M40-3101045R	24.00	11.50	13.30	N/A	1000
M40-3102045R	44.00	20.20	29.55	40.40	900
M40-3102545R	56.00	26.20	36.50	52.40	800

HARWIN
 www.harwin.com
 technical@harwin.com

THIS DRAWING AND ANY INFORMATION OR DESCRIPTIVE MATTER SET OUT HEREON ARE CONFIDENTIAL AND COPYRIGHT PROPERTY OF THE HARWIN GROUP AND MUST NOT BE DISCLOSED, LOANED, COPIED OR USED FOR MANUFACTURING, TENDERING OR FOR ANY OTHER PURPOSE WITHOUT THEIR WRITTEN PERMISSION.

TOLERANCES
 X. = ±1mm
 X.X = ±0.25mm
 X.XX = ±0.10mm
 X.XXX = ±0.01mm
 ANGLES = ±5°
 UNLESS STATED

MATERIAL: SEE ABOVE
 FINISH: SEE ABOVE
 S/AREA: mm²

TITLE: 1.27mm PITCH DIL VERTICAL SMT SOCKET ASSY IN TAPE & REEL WITH PICK AND PLACE CAP
 DRAWING NUMBER: **M50-310XX45R**
 SHT 3 OF 4

Customer Information Sheet

DRAWING No.: M50-310XX45R

SHEET 4 OF 4

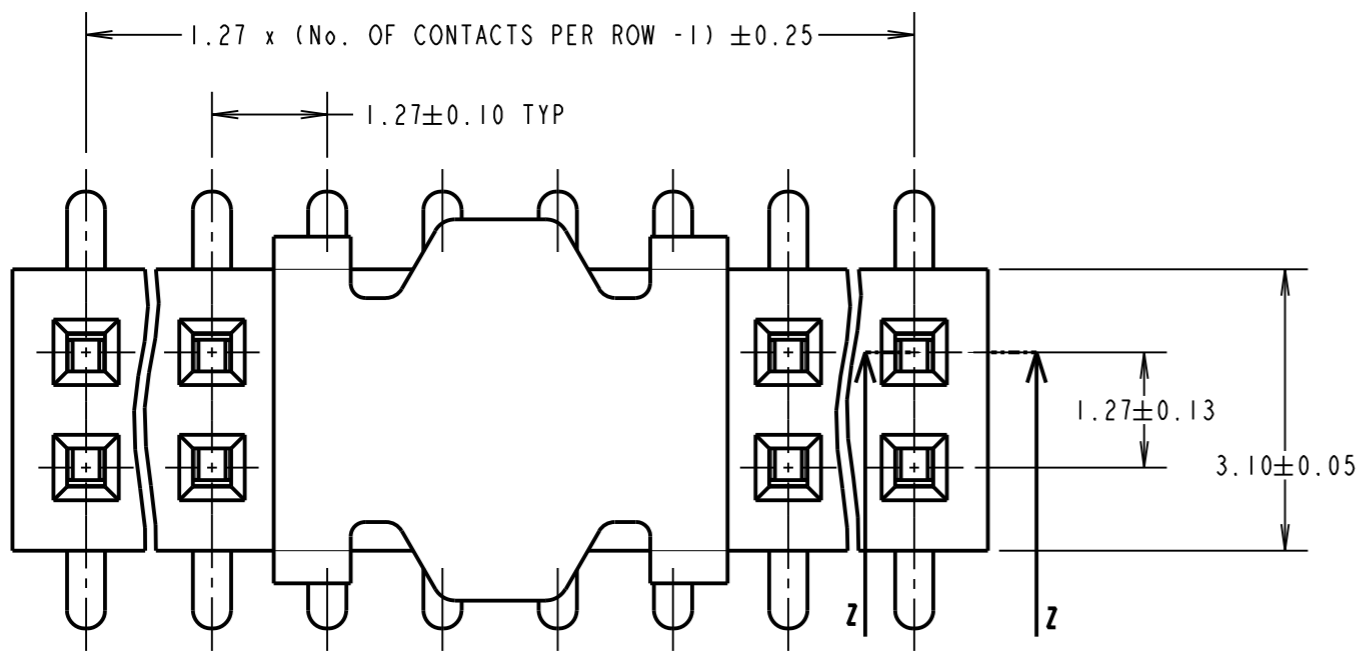
IF IN DOUBT - ASK

©

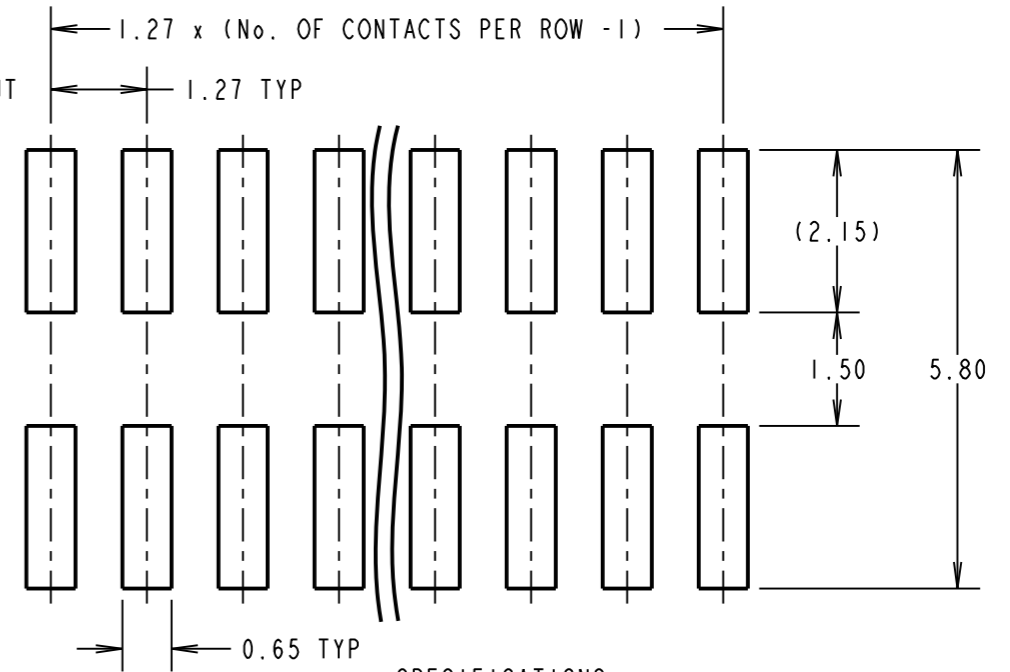
NOT TO SCALE

THIRD ANGLE PROJECTION

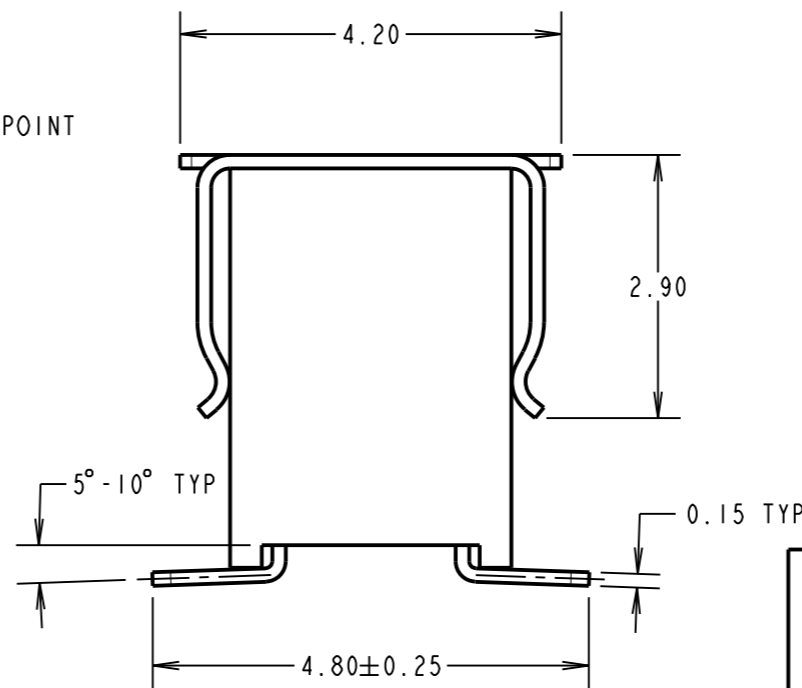
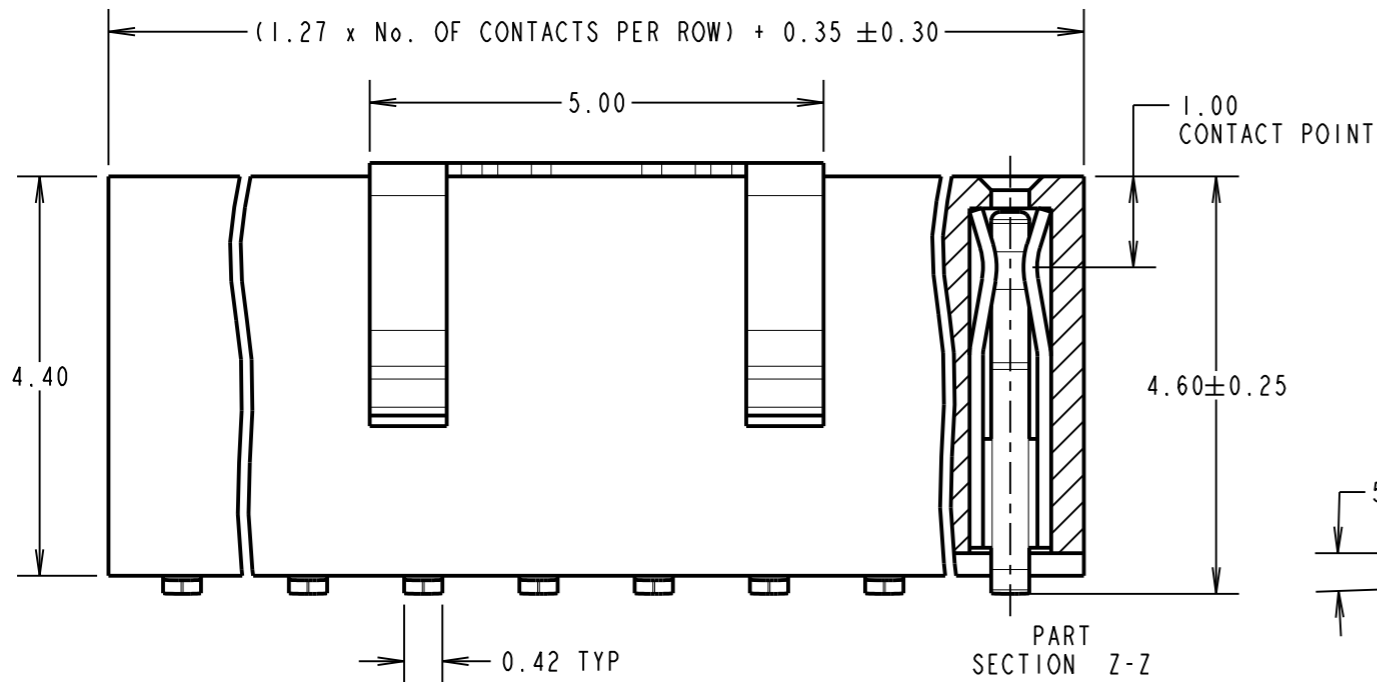
ALL DIMENSIONS IN mm



RECOMMENDED PCB LAYOUT
(TOLERANCE ±0.05)



SPECIFICATIONS:
MATERIAL:
 MOULDING = NYLON 6T UL94V-0, BLACK
 CONTACT = PHOSPHOR BRONZE
FINISH:
 CONTACT = GOLD FLASH OVER NICKEL
ELECTRICAL:
 VOLTAGE RATING = 250V AC/DC
 CURRENT RATING = 1A
 VOLTAGE PROOF = 300V AC, 500V DC FOR ONE MINUTE
 CONTACT RESISTANCE = 20mΩ MAX INITIAL,
 30mΩ MAX AFTER CONDITIONING
 INSULATION RESISTANCE = 1000MΩ MIN
MECHANICAL:
 DURABILITY = 100 CYCLES
 INSERTION FORCE = 2N MAX PER CONTACT
 WITHDRAWAL FORCE = 0.15N MIN PER CONTACT
ENVIRONMENTAL:
 OPERATING TEMPERATURE = -40°C TO +105°C
PACKING:
 TUBE
 FOR COMPLETE SPECIFICATION, SEE COMPONENT SPECIFICATION C029XX (LATEST ISSUE)



Active products:
M50-3100545R

OBSOLETE
All other size/finish combinations not listed

ORDER CODE:
M50-310XX45R

No. OF CONTACTS PER ROW: _____
05, 10, 20, 25

FINISH: _____
GOLD FLASH OVER NICKEL

SB	4	21.01.13	11828
NAME	ISS.	DATE	C/NOTE
APPROVED:		S.BENNETT	
CHECKED:		S.FLOWER	
DRAWN:		R.ADDE	
CUSTOMER REF.:			
ASSEMBLY DRG:			

NOTES:
 1. ALL TOLERANCES ARE ±0.12 UNLESS OTHERWISE STATED.
 2. FOR TAPE AND REEL DETAILS, SEE SHEET 2.

HARWIN
 www.harwin.com
 technical@harwin.com

THIS DRAWING AND ANY INFORMATION OR DESCRIPTIVE MATTER SET OUT HEREON ARE CONFIDENTIAL AND COPYRIGHT PROPERTY OF THE HARWIN GROUP AND MUST NOT BE DISCLOSED, LOANED, COPIED OR USED FOR MANUFACTURING, TENDERING OR FOR ANY OTHER PURPOSE WITHOUT THEIR WRITTEN PERMISSION.

TOLERANCES
 X = ±1mm
 X.X = ±0.25mm
 X.XX = ±0.10mm
 X.XXX = ±0.01mm
 ANGLES = ±5°
 UNLESS STATED

MATERIAL: SEE ABOVE
FINISH: SEE ABOVE
S/AREA: mm²

TITLE: 1.27mm PITCH DIL VERTICAL SMT SOCKET ASSY IN TAPE & REEL WITH PICK AND PLACE CAP
DRAWING NUMBER: M50-310XX45R
 SHT 4 OF 4