

Customer Information Sheet

DRAWING No.: M225-455XX98

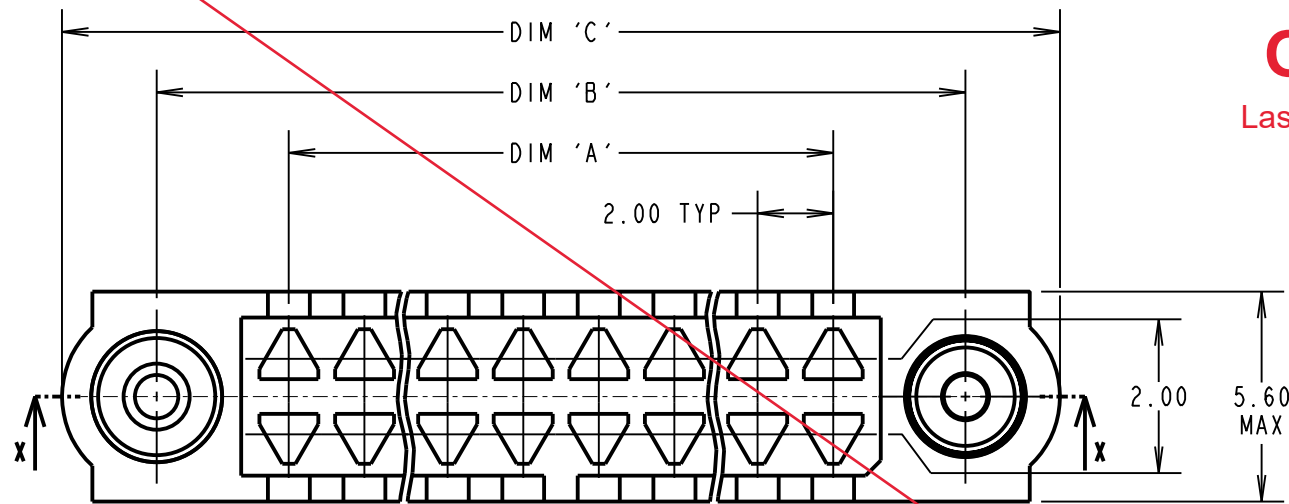
IF IN DOUBT - ASK

©

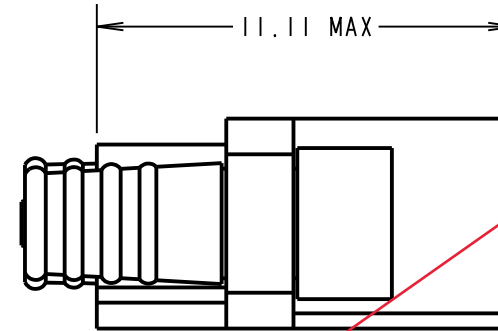
NOT TO SCALE

THIRD ANGLE PROJECTION

ALL DIMENSIONS IN mm

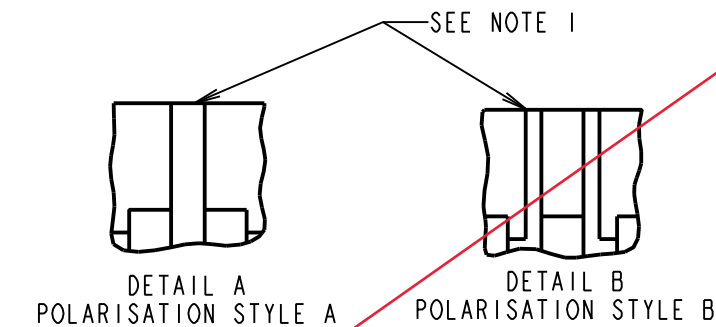
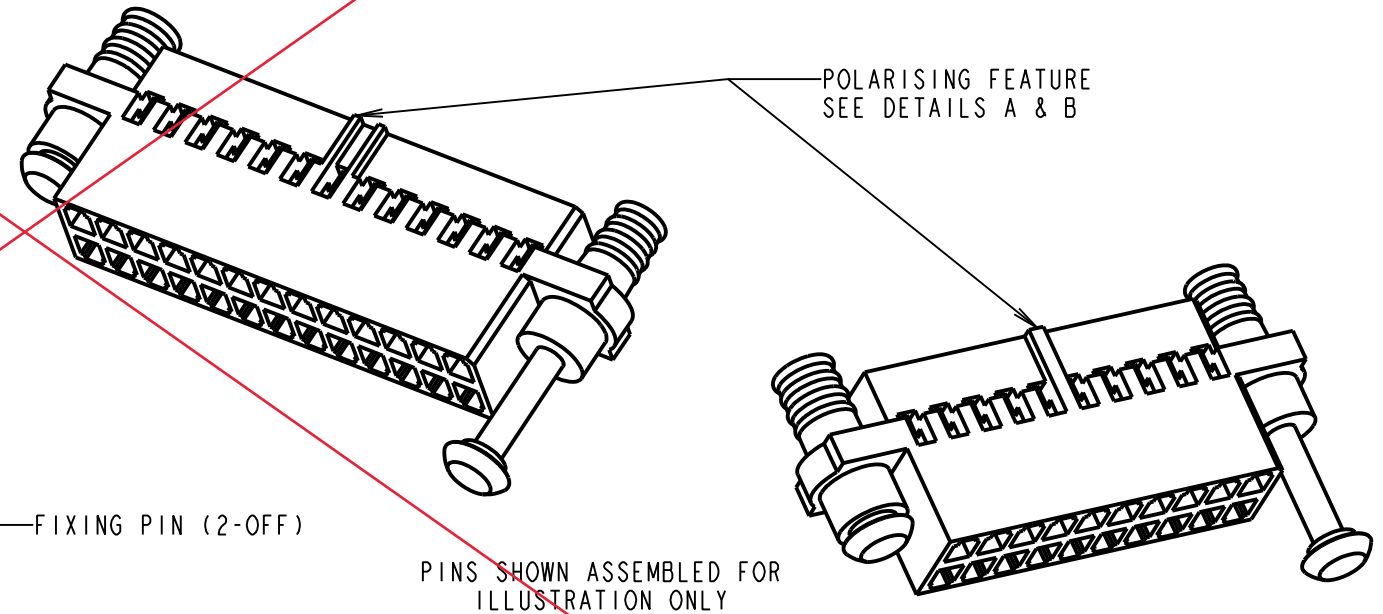
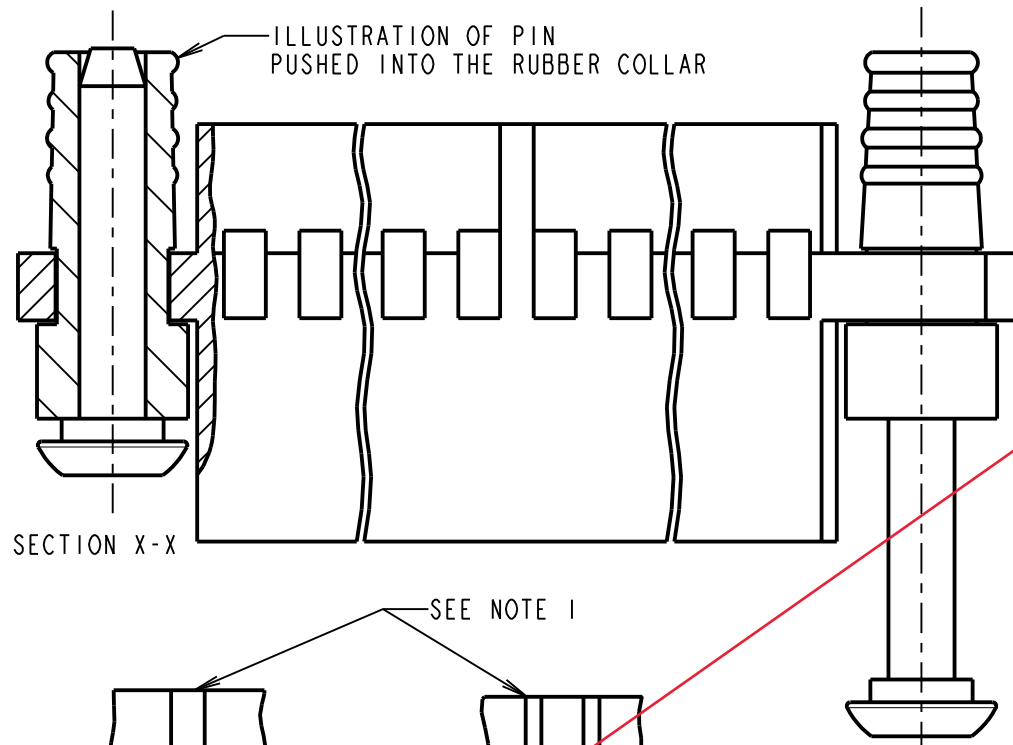


OBSOLETE
Last Time Buy 18-Aug-2023



SPECIFICATION:

MATERIAL:
HOUSING & PIN = GLASS-FILLED POLYAMIDE 46, UL94V-0
COLLAR = FLUOROELASTOMER
ELECTRICAL:
INSULATION RESISTANCE = 1000MΩ MIN
ENVIRONMENTAL:
TEMPERATURE RANGE = -55°C TO +125°C
PACKING:
BAG
FOR COMPLETE SPECIFICATION, SEE COMPONENT SPECIFICATION C050XX (LATEST ISSUE)



NOTES:

1. POLARISING FEATURE STYLE DEPENDANT ON NUMBER OF CONTACT POSITIONS.
2. HOUSING TO BE USED WITH DATAMATE TRIO-TEK CRIMP CONTACTS:
M225-25300XX = 22-24 AWG REELED
M225-25400XX = 26-28 AWG REELED
M225-28300XX = 22-24 AWG LOOSE
M225-28400XX = 26-28 AWG LOOSE
3. CONTACT EXTRACTION TOOL = Z80-258.
4. INSTRUCTION SHEETS ARE AVAILABLE.
5. PINS ARE SUPPLIED LOOSE, NOT ASSEMBLED INTO COLLAR.

ORDER CODE:
M225-455XX98
TOTAL No. OF CONTACT POSITIONS: _____
10, 20, 26, 34, 50

MR	I	18.12.18	21726
NAME	ISS.	DATE	C/NOTE
APPROVED: M.RUDKIN			
CHECKED: S.BENNETT			
DRAWN: F.MCGOWAN			
CUSTOMER REF.:			
ASSEMBLY DRG:			

DIMENSION	CALCULATION
DIM 'A'	TOTAL No. OF CONTACT POSITIONS - 2.00
DIM 'B'	TOTAL No. OF CONTACT POSITIONS + 5.00
DIM 'C'	TOTAL No. OF CONTACT POSITIONS + 10.0
EXAMPLE: CONNECTOR WITH 20 CONTACT POSITIONS, M225-4552098	
DIM 'A' = 18.00mm, DIM 'B' = 25.00mm, DIM 'C' = 30.0mm	

HARWIN

www.harwin.com
technical@harwin.com

THIS DRAWING AND ANY INFORMATION OR DESCRIPTIVE MATTER SET OUT HEREON ARE CONFIDENTIAL AND COPYRIGHT PROPERTY OF THE HARWIN GROUP AND MUST NOT BE DISCLOSED, LOANED, COPIED OR USED FOR MANUFACTURING, TENDERING OR FOR ANY OTHER PURPOSE WITHOUT THEIR WRITTEN PERMISSION.

TOLERANCES
X. = ±1mm
X.X = ±0.50mm
X.XX = ±0.10mm
X.XXX = ±0.01mm
ANGLES = ±5°
UNLESS STATED

MATERIAL:
SEE ABOVE
FINISH: SEE ABOVE
S/AREA: mm²

TITLE: TRIO-TEK FEMALE CRIMP HOUSING WITH FIXINGS
DRAWING NUMBER: **M225-455XX98**
SHT 2 OF 2