

Customer Information Sheet

DRAWING No.: M225-0600098

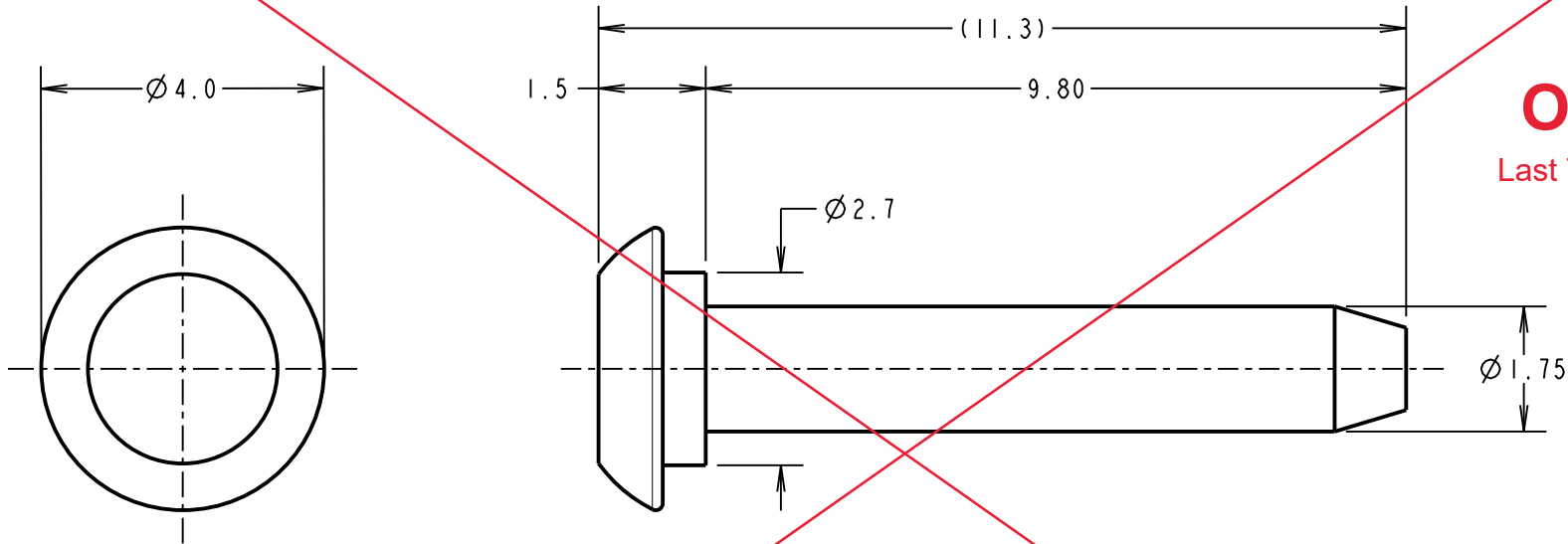
IF IN DOUBT - ASK

©

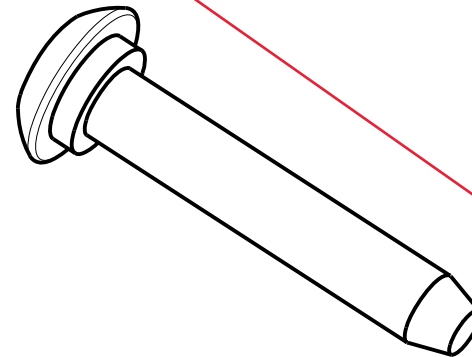
NOT TO SCALE

THIRD ANGLE PROJECTION

ALL DIMENSIONS IN mm



OBSOLETE
Last Time Buy 18-Aug-2023



NOTES:

1. PIN TO BE USED IN M225-455XX98 ASSEMBLY.
2. FOR COMPLETE SPECIFICATION, SEE COMPONENT SPECIFICATION C050XX (LATEST ISSUE).
3. PACKING = BAG.

MR	2	28.01.19	21766
NAME	ISS.	DATE	C/NOTE
APPROVED: M.RUDKIN			
CHECKED: S.BENNETT			
DRAWN: S.BENNETT			
CUSTOMER REF.:			
ASSEMBLY DRG:			
M225-455XX98			

HARWIN

www.harwin.com
technical@harwin.com

THIS DRAWING AND ANY INFORMATION OR DESCRIPTIVE MATTER SET OUT HEREON ARE CONFIDENTIAL AND COPYRIGHT PROPERTY OF THE HARWIN GROUP AND MUST NOT BE DISCLOSED, LOANED, COPIED OR USED FOR MANUFACTURING, TENDERING OR FOR ANY OTHER PURPOSE WITHOUT THEIR WRITTEN PERMISSION.

TOLERANCES

X. = ±1mm
X.X = ±0.50mm
X.XX = ±0.10mm
X.XXX = ±0.01mm
ANGLES = ±5°
UNLESS STATED

MATERIAL:

30% GLASS-FILLED PPS
UL94V-0

FINISH:

S/AREA: 86.5 mm²

TITLE:

M225 FIXING PIN

DRAWING NUMBER:

M225-0600098

SHT
2 OF 2