

Customer Information Sheet

DRAWING No.: M22-6033042

SHEET 2 OF 2

IF IN DOUBT - ASK

Ⓒ

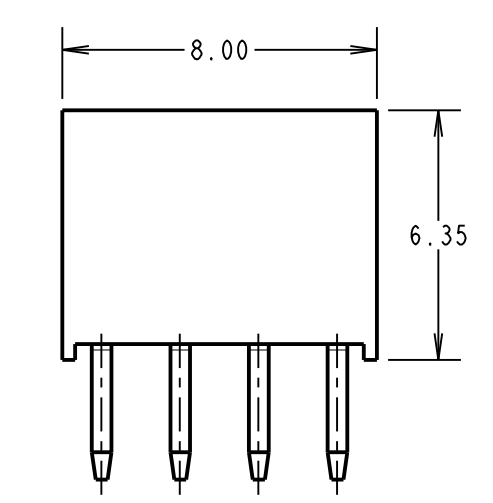
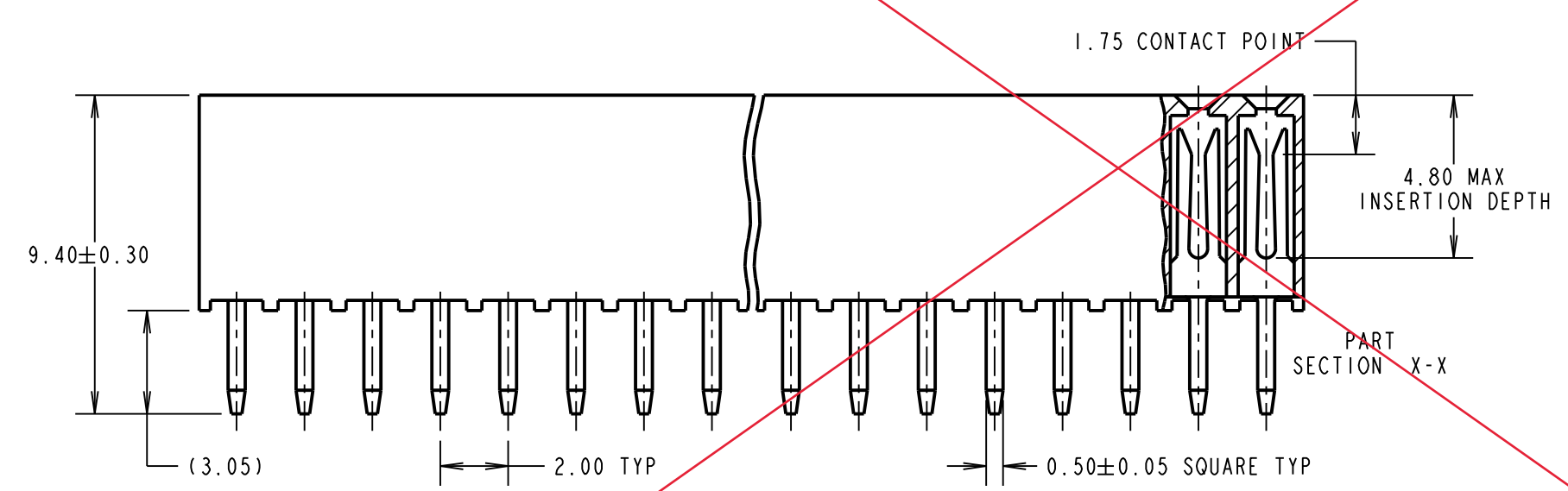
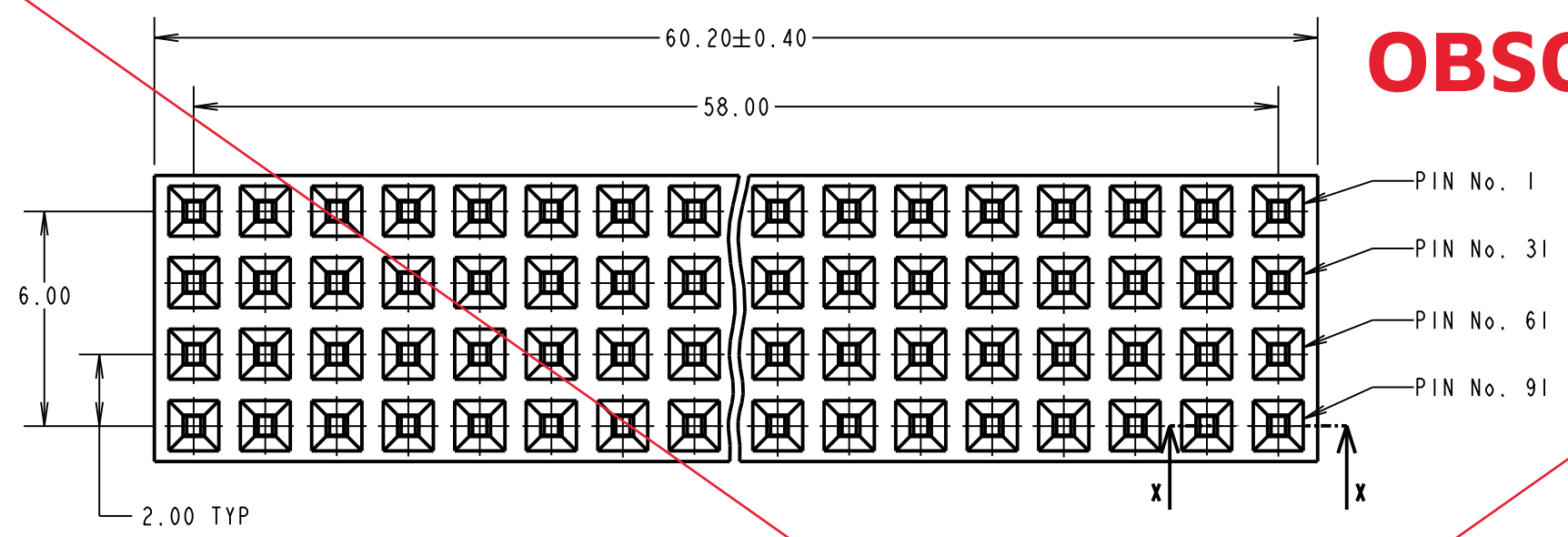
NOT TO SCALE

THIRD ANGLE PROJECTION

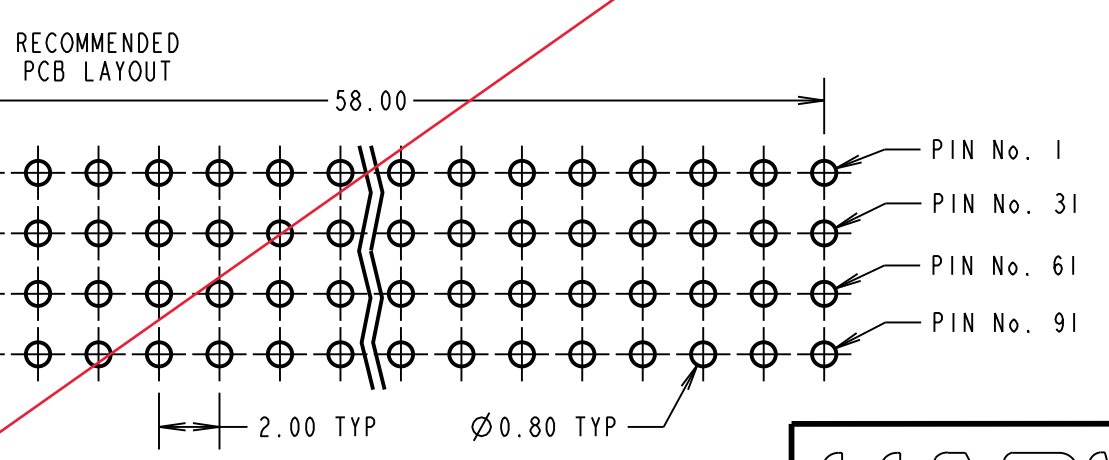
ALL DIMENSIONS IN mm

OBSOLETE

SPECIFICATION:
 MATERIALS:
 MOULDING = NYLON 6T UL94V-0, BLACK
 CONTACTS = PHOSPHOR BRONZE
 FINISH (COVER NICKEL):
 GOLD ON CONTACT AREA, 100% TIN ON TAILS
 ELECTRICAL:
 CURRENT RATING = 1A MAX
 CONTACT RESISTANCE = 30mΩ MAX
 INSULATION RESISTANCE = 5,000 MΩ MIN
 VOLTAGE PROOF = 800V AC FOR ONE MINUTE
 MECHANICAL:
 INSERTION FORCE = 2N/PIN MAX
 WITHDRAWAL FORCE = 0.3N/PIN MIN
 ENVIRONMENTAL:
 TEMPERATURE RANGE = -55°C TO +105°C
 PACKING:
 TUBE
 FOR COMPLETE SPECIFICATIONS, SEE
 COMPONENT SPECIFICATION C039XX.



NOTES:
 1. ALL TOLERANCES ARE ±0.20 UNLESS OTHERWISE STATED.



ORDER CODE:
M22-6033042
 No. OF CONTACTS PER ROW:
 30
 FINISH:
 42 = SELECTIVE GOLD + 100% TIN

| | | | |
|----------------|------|-----------|--------|
| SB | 8 | 27.09.13 | 12212 |
| NAME | ISS. | DATE | C/NOTE |
| APPROVED: | | S.BENNETT | |
| CHECKED: | | M.PLESTED | |
| DRAWN: | | D.BECK | |
| CUSTOMER REF.: | | | |
| ASSEMBLY DRG: | | | |

HARWIN
 www.harwin.com
 technical@harwin.com

THIS DRAWING AND ANY INFORMATION OR DESCRIPTIVE MATTER SET OUT HEREON ARE CONFIDENTIAL AND COPYRIGHT PROPERTY OF THE HARWIN GROUP AND MUST NOT BE DISCLOSED, LOANED, COPIED OR USED FOR MANUFACTURING, TENDERING OR FOR ANY OTHER PURPOSE WITHOUT THEIR WRITTEN PERMISSION.

TOLERANCES
 X. = ±1mm
 X.X = ±0.25mm
 X.XX = ±0.10mm
 X.XXX = ±0.01mm
 ANGLES = ±5°
 UNLESS STATED

MATERIAL:
 SEE ABOVE
 FINISH:
 SEE ABOVE
 S/AREA:
 mm²

TITLE:
 PC104 PLUS POST HEADER RECEPTACLE
 DRAWING NUMBER:
M22-6033042
 SHT 2 OF 2