

Customer Information Sheet

DRAWING No.: M22-208XXXX

SHEET 2 OF 2

IF IN DOUBT - ASK

(C)

NOT TO SCALE

THIRD ANGLE PROJECTION

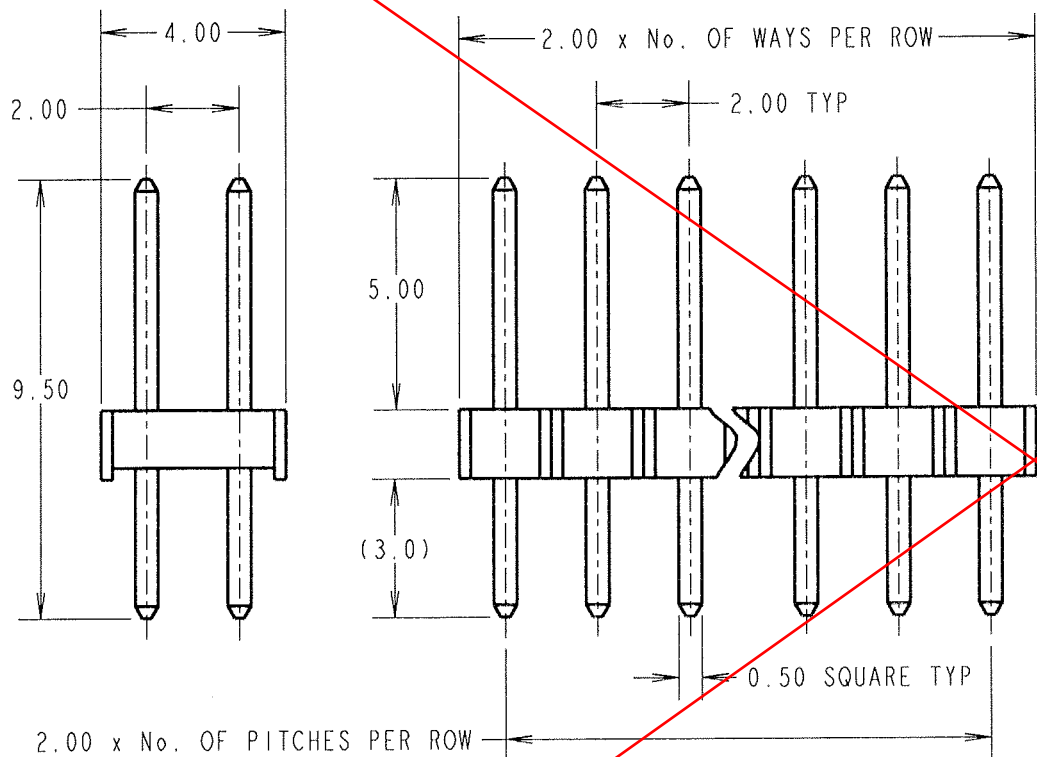
ALL DIMENSIONS IN mm

ORDER CODE:

M22-208XXXX

No. OF WAYS PER ROW
02-50

FINISH
05 - GOLD
06 - TIN



SPECIFICATIONS:

MATERIAL:
MOULDING = NYLON 6T, UL94V-0, BLACK
CONTACTS = PHOSPHOR BRONZE

FINISH:
05 = GOLD
06 = TIN

ELECTRICAL:
CURRENT RATING = 1A
VOLTAGE PROOF = 650V AC
CONTACT RESISTANCE (INITIAL) = 15 mΩ MAX (GOLD), 20 mΩ MAX (TIN)
CONTACT RESISTANCE (AFTER CONDITIONING) = 20 mΩ MAX (GOLD), 30 mΩ MAX (TIN)
INSULATION RESISTANCE (INITIAL) = 1,000 MΩ MIN
INSULATION RESISTANCE (AFTER CONDITIONING) = 100 MΩ MIN

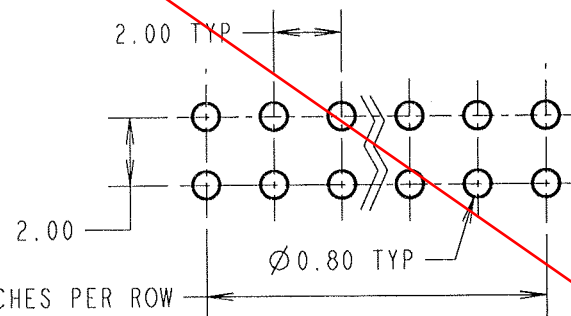
MECHANICAL:
DURABILITY = 300 OPERATIONS (GOLD), 50 OPERATIONS (TIN)
INSERTION FORCE = 2N MAX
WITHDRAWAL FORCE = 0.3N MIN

ENVIRONMENTAL:
TEMPERATURE RANGE = -55°C TO +105°C

PACKING:
BAG

FOR COMPLETE SPECIFICATION, SEE COMPONENT SPECIFICATION C018XX (LATEST ISSUE)

RECOMMENDED PCB LAYOUT



OBSOLETE

NOTES:

1. ALL TOLERANCES ARE ±0.20 UNLESS OTHERWISE STATED.

2.00 x No. OF PITCHES PER ROW

JAE	4	03.11.03	7705
NAME	ISS.	DATE	C/NOTE
APPROVED: <i>WJB</i>			
CHECKED: <i>MJL</i>			
DRAWN: I. SANDY			
CUSTOMER REF.:			
ASSEMBLY DRG:			

HARWIN

THIS DRAWING AND ANY INFORMATION OR DESCRIPTIVE MATTER SET OUT HEREON ARE CONFIDENTIAL AND COPYRIGHT PROPERTY OF THE HARWIN GROUP AND MUST NOT BE DISCLOSED, LOANED, COPIED OR USED FOR MANUFACTURING, TENDERING OR FOR ANY OTHER PURPOSE WITHOUT THEIR WRITTEN PERMISSION.

TOLERANCES
X. = ±1mm
X.X = ±0.25mm
X.XX = ±0.10mm
X.XXX = ±0.01mm
ANGLES = ±5°
UNLESS STATED

MATERIAL:

SEE ABOVE

FINISH:

SEE ABOVE

S/AREA:

mm²

TITLE:

2.00mm PITCH DIL VERTICAL PIN HEADER ASSEMBLY

DRAWING NUMBER:

M22-208XXXX

SHT
2 OF 2

HARWIN INC
U.S.A.

HARWIN PLC
U.K.

HARWIN PTE
SINGAPORE

TEL: (812) 542 2540
FAX: (812) 542 2541

TEL: 023 9231 4545
FAX: 023 9231 4590

TEL: 65 6779 4909
FAX: 65 6779 3868