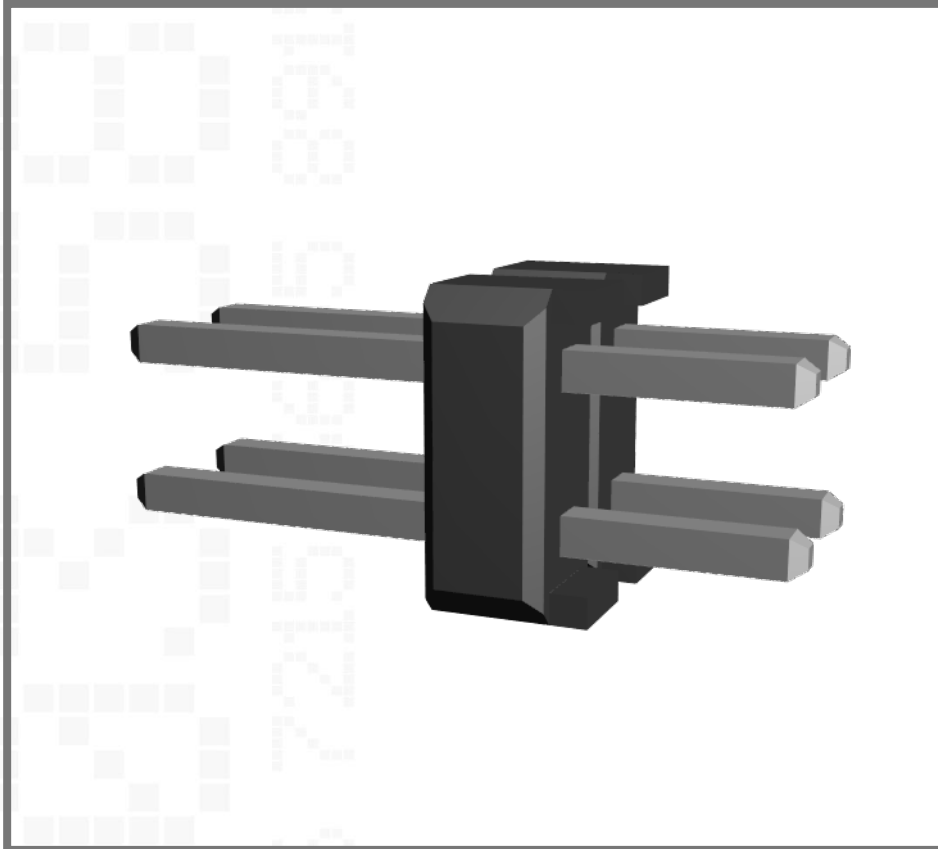


M20-9760246

2.54mm (0.1") Pitch DIL Vertical PC Tail Pin Header



Technical Drawing:

[M20-976.pdf](#)

Website:

[M20-9760246](#)

Component Specification:

[C001XX](#)

[Request an evaluation sample](#)

Double row, 5.8mm mating pin, 3mm PC tail, Tin, 2+2 contacts