

# Customer Information Sheet

DRAWING No.: M20-877XXX

SHEET 2 OF 2

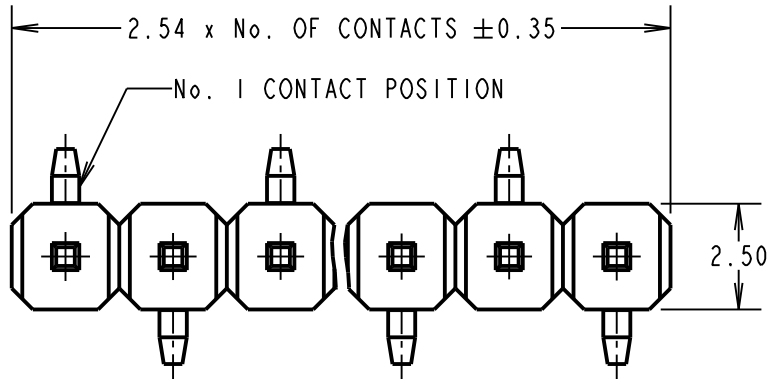
IF IN DOUBT - ASK

©

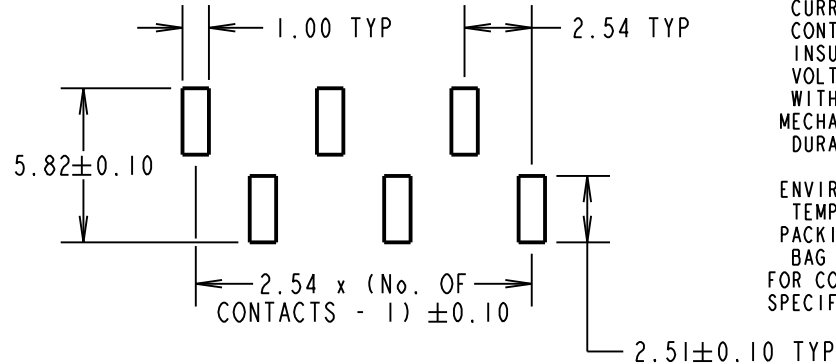
NOT TO SCALE

THIRD ANGLE PROJECTION

ALL DIMENSIONS IN mm



RECOMMENDED PAD LAYOUT  
(TOLERANCE =  $\pm 0.05$ )



SPECIFICATION:

MATERIAL:  
MOULDING = NYLON 6T UL94V-0, BLACK  
CONTACT = BRASS

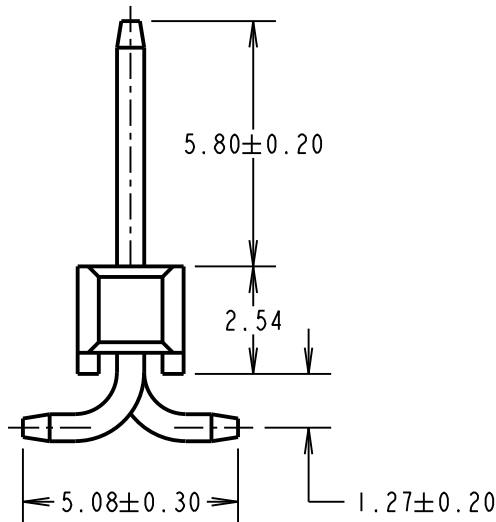
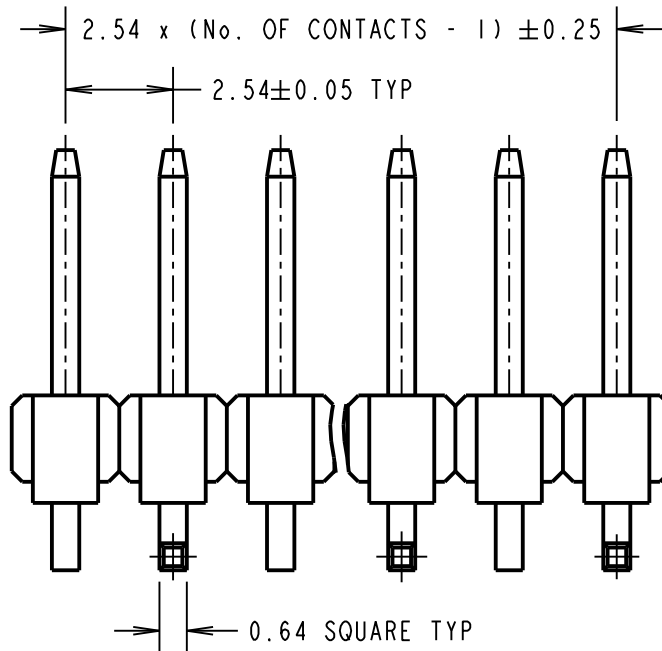
FINISH:  
42 = SELECTIVE GOLD ON CONTACT AREA,  
100% TIN ON TAILS  
46 = 100% TIN

ELECTRICAL:  
CURRENT RATING = 3A MAX  
CONTACT RESISTANCE = 20m $\Omega$  MAX  
INSULATION RESISTANCE = 1,000M $\Omega$  MIN  
VOLTAGE RATING = 250V AC/DC  
WITHSTANDING VOLTAGE = 500V AC FOR ONE MIN

MECHANICAL:  
DURABILITY = 50 OPERATIONS (TIN),  
300 OPERATIONS (GOLD)

ENVIRONMENTAL:  
TEMPERATURE RANGE = -40°C TO +105°C

PACKING:  
BAG  
FOR COMPLETE SPECIFICATION, SEE COMPONENT SPECIFICATION C001XX (LATEST ISSUE)



**OBSOLETE**

**No. of Contacts:  
21 to 24, 26 to 35**

NOTES:  
1. ALL TOLERANCES ARE  $\pm 0.15$ mm UNLESS OTHERWISE STATED.

ORDER CODE:

**M20-877XXX**

No. OF CONTACTS: \_\_\_\_\_  
02 TO 36

FINISH:  
42 = SELECTIVE GOLD + 100% TIN  
46 = 100% TIN

SB	18	05.03.15	12764
NAME	ISS.	DATE	C/NOTE
APPROVED: S.BENNETT			
CHECKED: M.PLESTED			
DRAWN: P. D. COLLINS			
CUSTOMER REF.:			
ASSEMBLY DRG:			

**HARWIN**

www.harwin.com  
technical@harwin.com

THIS DRAWING AND ANY INFORMATION OR DESCRIPTIVE MATTER SET OUT HEREON ARE CONFIDENTIAL AND COPYRIGHT PROPERTY OF THE HARWIN GROUP AND MUST NOT BE DISCLOSED, LOANED, COPIED OR USED FOR MANUFACTURING, TENDERING OR FOR ANY OTHER PURPOSE WITHOUT THEIR WRITTEN PERMISSION.

~~TOLERANCES~~

~~X. =  $\pm 1$ mm  
X.X =  $\pm 0.25$ mm  
X.XX =  $\pm 0.10$ mm  
X.XXX =  $\pm 0.01$ mm  
ANGLES =  $\pm 5^\circ$   
UNLESS STATED~~

MATERIAL:

SEE ABOVE

FINISH: SEE ABOVE

S/AREA:

mm<sup>2</sup>

TITLE: 2.54mm PITCH SIL  
SMT PIN HEADER ASSEMBLY  
(LEFT-HANDED LEAD)

DRAWING NUMBER:

**M20-877XXX**

SHT  
2 OF 2