

# Customer Information Sheet

DRAWING No.: M20-877XXXXR

SHEET 3 OF 4

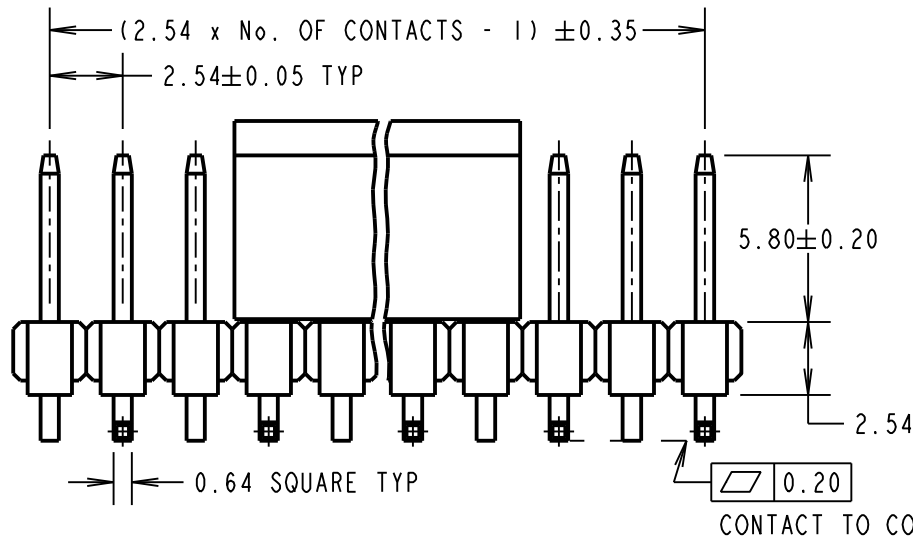
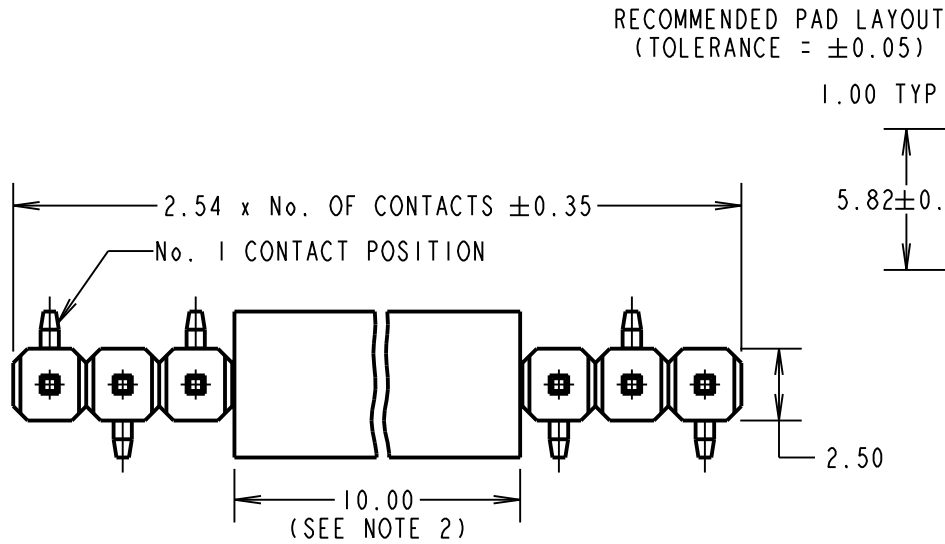
IF IN DOUBT - ASK

©

NOT TO SCALE

THIRD ANGLE PROJECTION

ALL DIMENSIONS IN mm



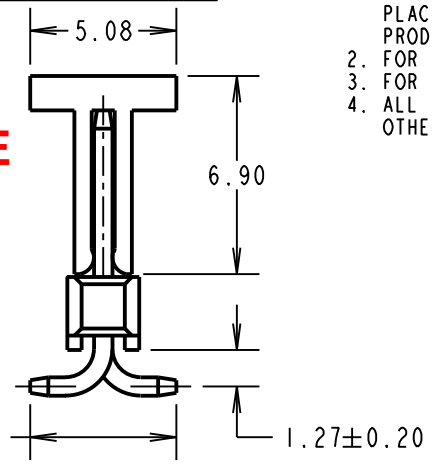
(2.54 x No. OF CONTACTS - 1)

ORDER CODE:  
**M20-877XXXXR**

No. OF CONTACTS: \_\_\_\_\_  
02, 03, 04, 06,  
08, 10, 15, 19, 28

FINISH: \_\_\_\_\_  
42 = SELECTIVE GOLD + 100% TIN  
46 = 100% TIN

**OBSOLETE**  
No. of Contacts:  
**28**



SPECIFICATION:

MATERIAL:  
MOULDING = NYLON 6T UL94V-0, BLACK  
CONTACT = BRASS

FINISH:  
42 = SELECTIVE GOLD ON CONTACT AREA,  
100% TIN ON TAILS  
46 = 100% TIN

ELECTRICAL:  
CURRENT RATING = 3A MAX  
CONTACT RESISTANCE = 30 mΩ MAX (TIN),  
25 mΩ MAX (GOLD)

INSULATION RESISTANCE = 1,000MΩ MIN  
DIELECTRIC STRENGTH = 750V AC/DC

MECHANICAL:  
DURABILITY = 50 OPERATIONS (TIN),  
300 OPERATIONS (GOLD)

ENVIRONMENTAL:  
TEMPERATURE RANGE = -40°C TO +105°C

PACKING:  
BAG

FOR COMPLETE SPECIFICATION, SEE COMPONENT SPECIFICATION C001XX (LATEST ISSUE)

- NOTES:
- SEE DRAWING M20-877XXXXP FOR PICK AND PLACE VERSION, M20-877XXXX FOR STANDARD PRODUCT.
  - FOR 4 WAYS AND LESS, CAP LENGTH = 6.00mm.
  - FOR REELING DETAILS SEE SHEET 4.
  - ALL TOLERANCES ARE  $\pm 0.15$ mm UNLESS OTHERWISE STATED.

SB	17	05.03.15	12764
NAME	ISS.	DATE	C/NOTE
APPROVED:		S. BENNETT	
CHECKED:		M. PLESTED	
DRAWN:		J. KEIR	
CUSTOMER REF.:			
ASSEMBLY DRG:			



www.harwin.com  
technical@harwin.com

THIS DRAWING AND ANY INFORMATION OR DESCRIPTIVE MATTER SET OUT HEREON ARE CONFIDENTIAL AND COPYRIGHT PROPERTY OF THE HARWIN GROUP AND MUST NOT BE DISCLOSED, LOANED, COPIED OR USED FOR MANUFACTURING, TENDERING OR FOR ANY OTHER PURPOSE WITHOUT THEIR WRITTEN PERMISSION.

TOLERANCES  
X =  $\pm 1$ mm  
X.X =  $\pm 0.25$ mm  
X.XX =  $\pm 0.10$ mm  
X.XXX =  $\pm 0.01$ mm  
ANGLES =  $\pm 5^\circ$   
UNLESS STATED

MATERIAL:  
SEE TABLE

FINISH: SEE TABLE

S/AREA: mm<sup>2</sup>

TITLE: 2.54mm PITCH SIL  
SMT VERTICAL PIN HEADER WITH P/PLACE, TAPE & REEL (L/HAND)

DRAWING NUMBER:  
**M20-877XXXXR**

SHT 3 OF 4

# Customer Information Sheet

DRAWING No.: M20-877XXXXR

SHEET 4 OF 4

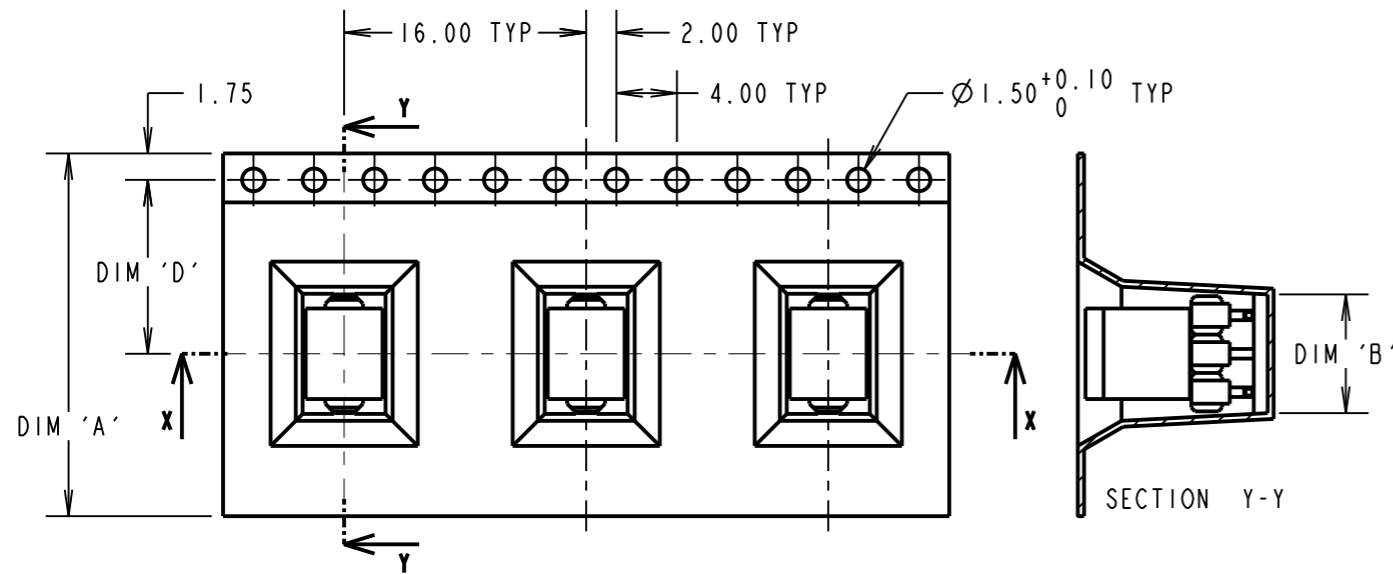
IF IN DOUBT - ASK

©

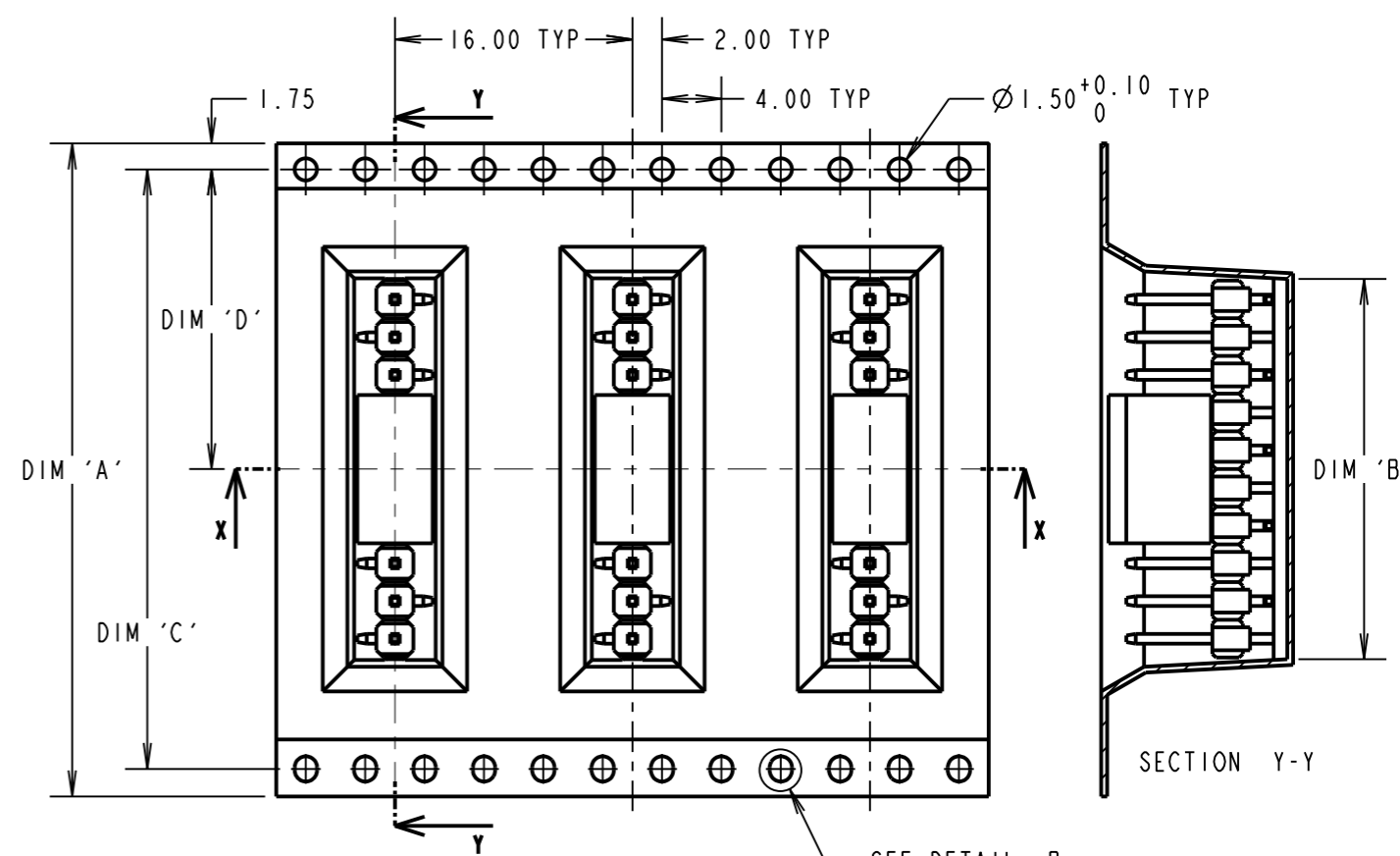
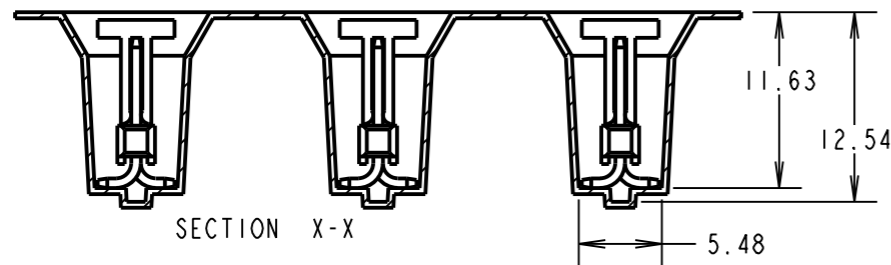
NOT TO SCALE

THIRD ANGLE PROJECTION

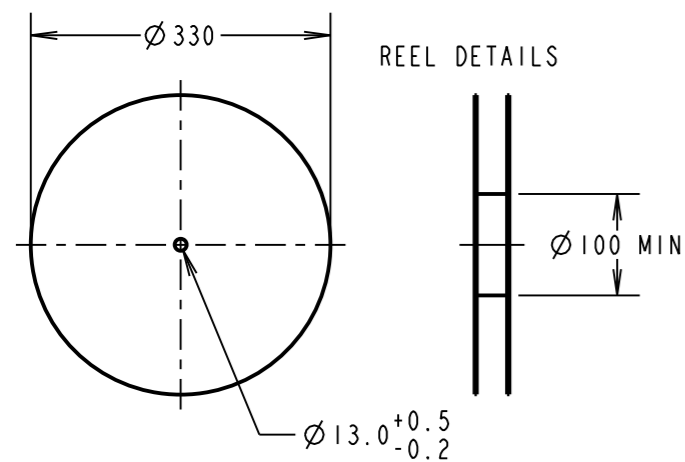
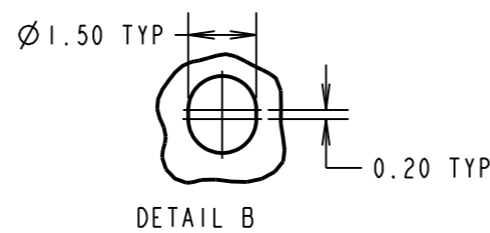
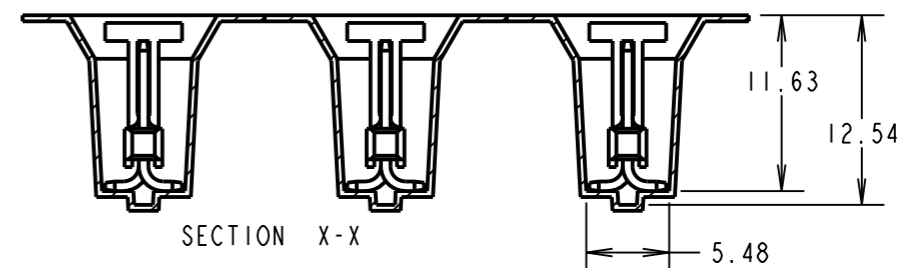
ALL DIMENSIONS IN mm



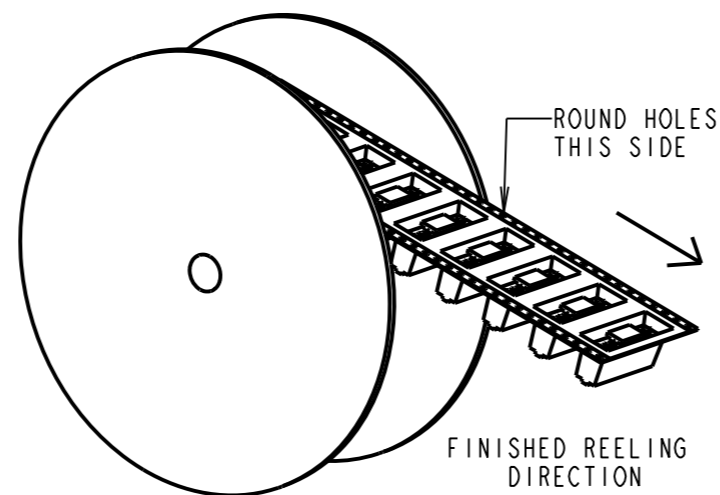
TAPE DETAILS FOR 02 & 03 WAY



TAPE DETAILS FOR 04, 06, 08, 10, 15, 19 & 28 WAY



REEL DETAILS



HARWIN PART No.	DIM 'A'	DIM 'B'	DIM 'C'	DIM 'D'
M20-87702XXR	24.00±0.30	5.31	-	11.50
M20-87703XXR		7.85	-	11.50
M20-87704XXR	32.00±0.30	10.39	28.40	14.20
M20-87706XXR		15.47		
M20-87708XXR	44.00±0.30	20.55	40.40	20.20±0.15
M20-87710XXR		25.63		
M20-87715XXR	56.00±0.30	43.57	52.40	26.20±0.15
M20-87719XXR	72.00±0.30	53.73	68.40	34.20±0.30
M20-87728XXR	88.00±0.30	76.59	84.40	42.20±0.30

NOTES:

1. QUANTITY PER REEL = 02 TO 19 WAYS = 450 PIECES, 28 WAYS = 300 PIECES.
2. FOR CONNECTOR DIMENSIONS, SEE SHEET 3.
3. TAPE AND REELING IS IN GENERAL ACCORDANCE WITH ELECTRONIC INDUSTRIES ASSOCIATION EIA-481.

SB	17	05.03.15	12764
NAME	ISS.	DATE	C/NOTE
APPROVED:		S. BENNETT	
CHECKED:		M. PLESTED	
DRAWN:		J. KEIR	
CUSTOMER REF.:			
ASSEMBLY DRG:			

**HARWIN**

www.harwin.com  
technical@harwin.com

THIS DRAWING AND ANY INFORMATION OR DESCRIPTIVE MATTER SET OUT HEREON ARE CONFIDENTIAL AND COPYRIGHT PROPERTY OF THE HARWIN GROUP AND MUST NOT BE DISCLOSED, LOANED, COPIED OR USED FOR MANUFACTURING, TENDERING OR FOR ANY OTHER PURPOSE WITHOUT THEIR WRITTEN PERMISSION.

TOLERANCES  
X. = ±1mm  
X.X = ±0.50mm  
X.XX = ±0.10mm  
X.XXX = ±0.01mm  
ANGLES = ±5°  
UNLESS STATED

MATERIAL:  
SEE ABOVE  
FINISH: SEE ABOVE  
S/AREA: mm<sup>2</sup>

TITLE: 2.54mm PITCH SIL SMT VERTICAL PIN HEADER WITH P/PLACE, TAPE & REEL (L/HAND)  
DRAWING NUMBER:  
**M20-877XXXXR**  
SHT 4 OF 4