

Customer Information Sheet

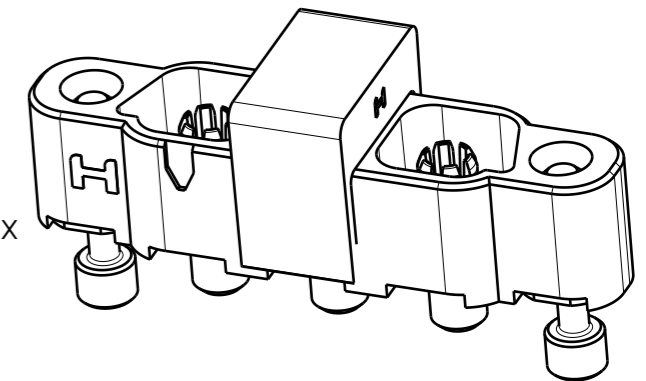
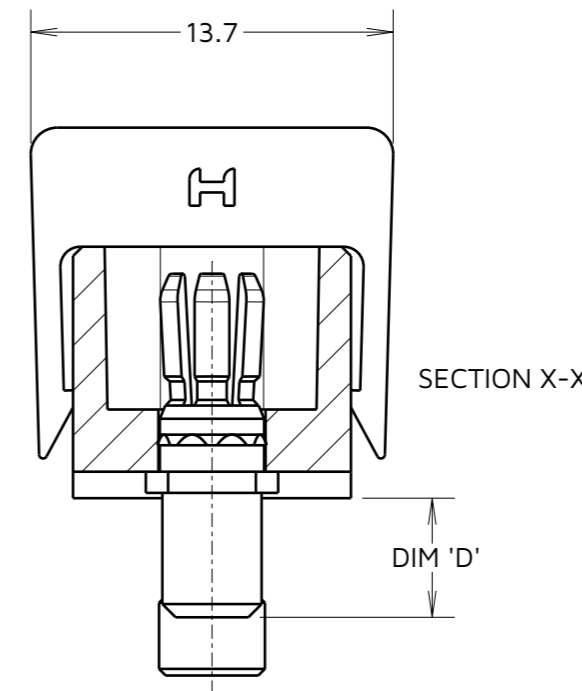
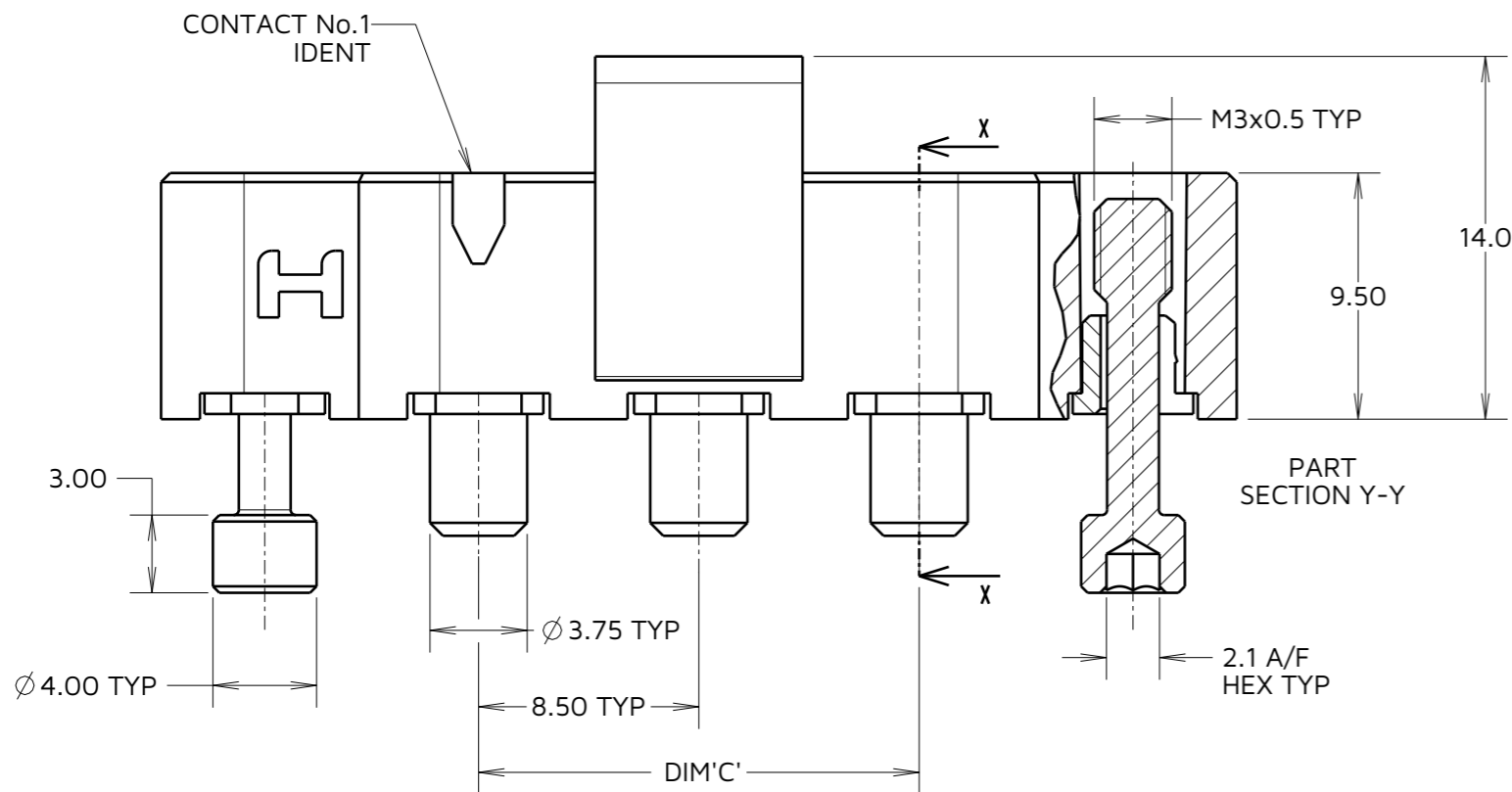
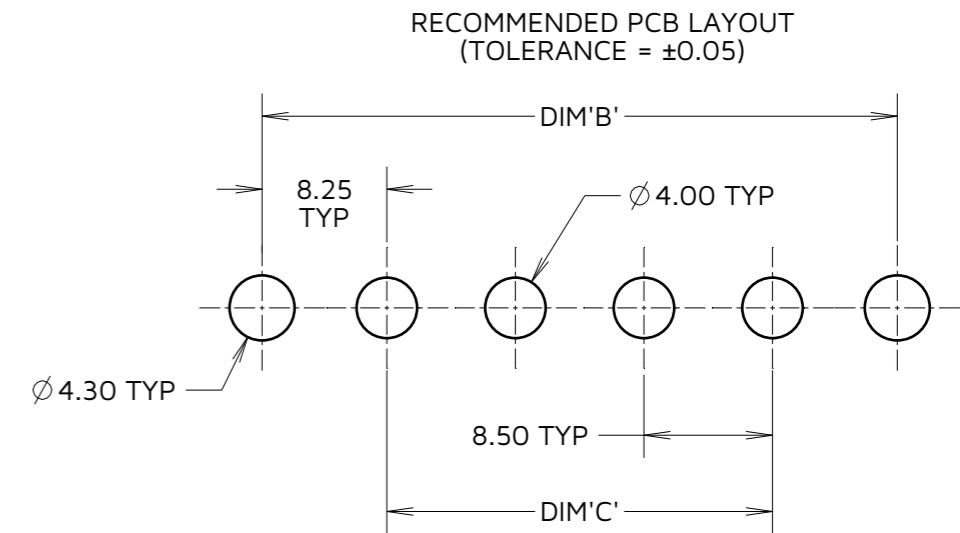
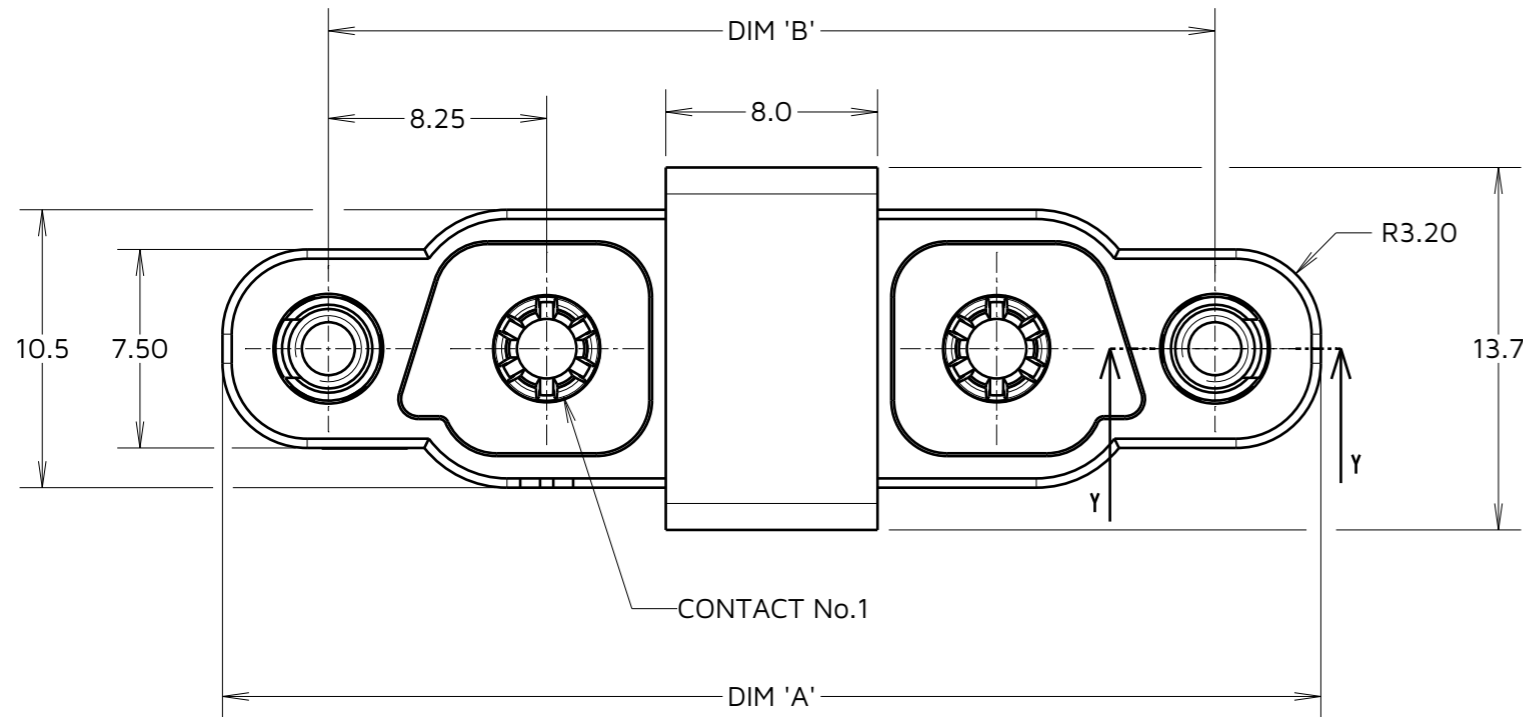
IF IN DOUBT - ASK

©

NOT TO SCALE

THIRD ANGLE PROJECTION

ALL DIMENSIONS IN mm



ASSEMBLY PART No.	DIM 'A'	DIM 'B'	DIM 'C'	(DIM 'D')
KA1-MV10205M2	33.00	25.00	8.50	4.50
KA1-MV10305M2	41.50	33.50	17.00	
KA1-MV10405M2	50.00	42.00	25.50	
KA1-MV20205M2	33.00	25.00	8.50	5.90
KA1-MV20305M2	41.50	33.50	17.00	
KA1-MV20405M2	50.00	42.00	25.50	

- NOTES:
 1. FOR CONNECTOR SPECIFICATIONS SEE C052XX (LATEST ISSUE).
 2. DRAWING SHOWS CONNECTOR WITH 3 CONTACTS.
 3. PACKING = TUBE.

ORDER CODE:
KA1-MVXXX05M2
 TAIL LENGTH ————
 SEE TABLE 1
 TOTAL No. OF CONTACTS ————
 02, 03, 04

FC	4	18.04.23	32421
NAME	ISS.	DATE	CN/CO
APPROVED: M.RUDKIN			
CHECKED: R.PORTLOCK			
DRAWN: M.RUDKIN			
ASSEMBLY DRG:			

HARWIN
 JACK SCREW
 JACK SCREW
 RETAINER
www.harwin.com

TOLERANCES
 X. = ±1mm
 X.X = ±0.50mm
 X.XX = ±0.20mm
 X.XXX = ±0.01mm
 ANGLES = ±5°
 UNLESS STATED

THIS DRAWING AND ANY INFORMATION OR DESCRIPTIVE MATTER SET OUT HEREON ARE CONFIDENTIAL AND COPYRIGHT PROPERTY OF THE HARWIN GROUP AND MUST NOT BE DISCLOSED, LOANED, COPIED OR USED FOR MANUFACTURING, TENDERING OR FOR ANY OTHER PURPOSE WITHOUT THEIR WRITTEN PERMISSION.

MATERIAL:
 SEE ABOVE

TITLE:
**KONA SERIES - MALE
 VERTICAL PCT CONNECTOR**
 DRAWING NUMBER:
KA1-MVXXX05M2