

Customer Information Sheet

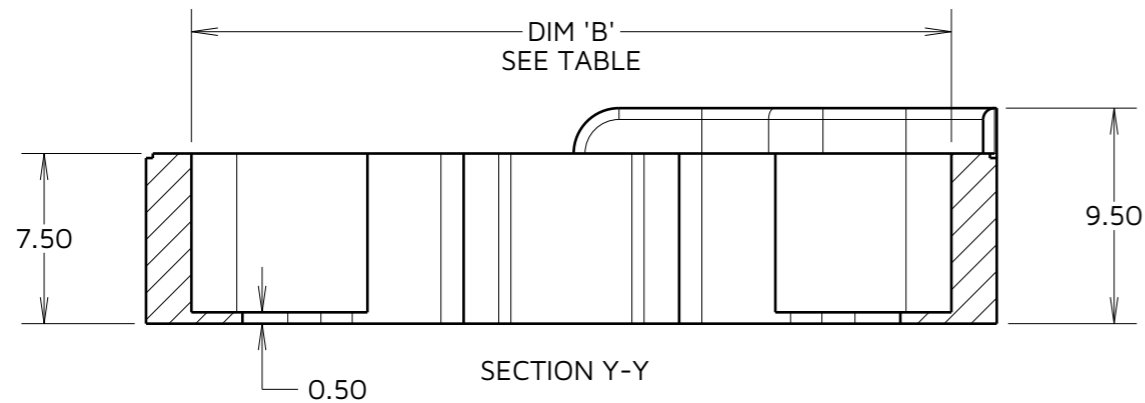
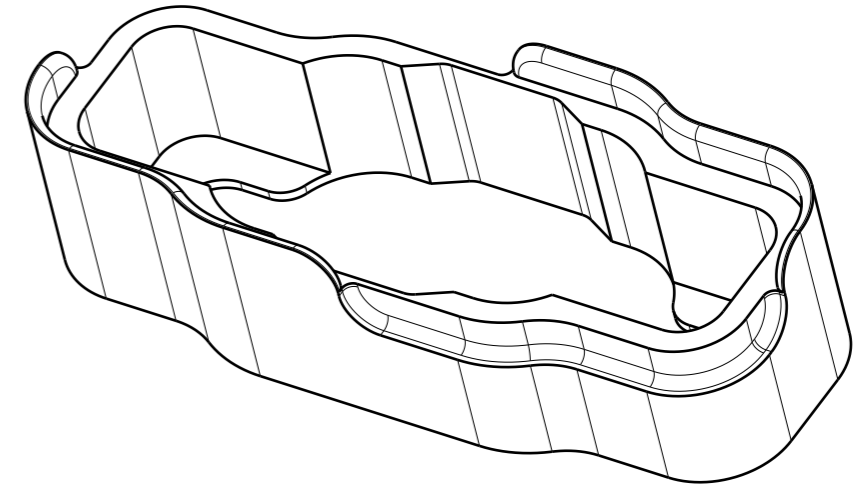
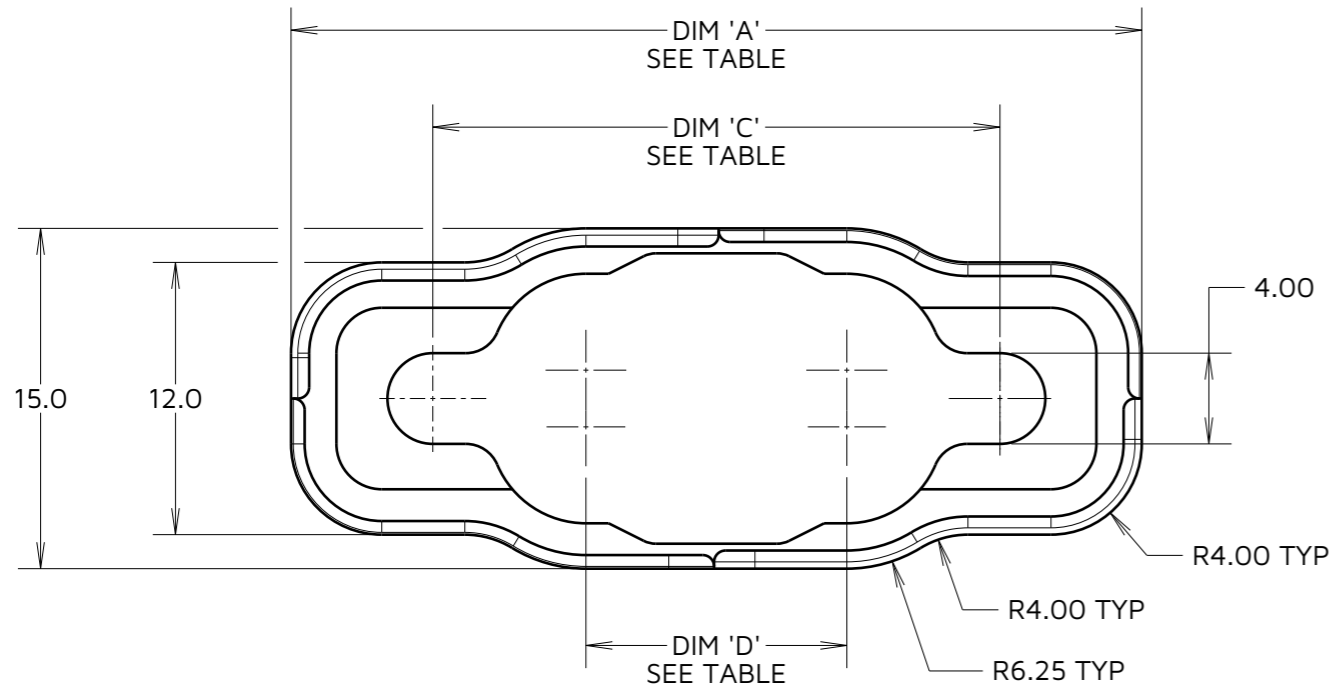
IF IN DOUBT - ASK

©

NOT TO SCALE

THIRD ANGLE PROJECTION

ALL DIMENSIONS IN mm

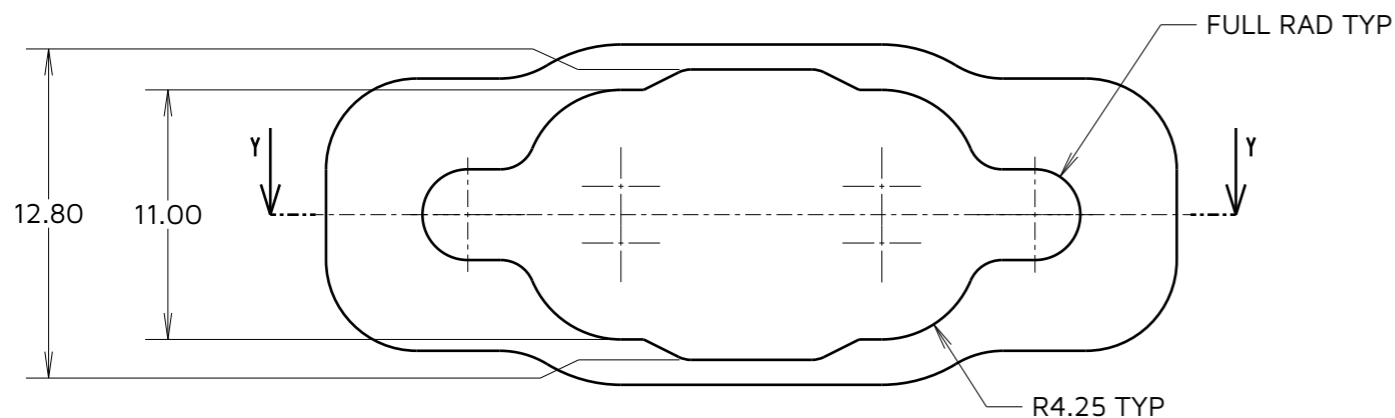


ORDER CODE:

KA1-950XX02

TOTAL No. OF CONTACTS
02, 03, 04

PART NUMBER	DIM 'A'	DIM 'B'	DIM 'C'	DIM 'D'	MASS (g)
KA1-9500202	37.5	33.50	25.00	11.50	3.34
KA1-9500302	46.0	42.00	33.50	20.00	3.71
KA1-9500402	54.5	50.50	42.00	28.50	4.08



NOTES:

- METAL SHELL SUITABLE FOR THE FOLLOWING KONA SERIES CONNECTORS WITH BOARD OR PANEL MOUNT FIXINGS:
KA1-MVXXX05M1, KA1-201XX98F2, KA1-301XX98M1
- DRAWING SHOWS METAL SHELL FOR CONNECTOR WITH 2 CONTACTS. DRAWING ALSO APPLIES TO CONNECTORS WITH 3 & 4 CONTACTS. SEE ORDER CODE.

MR	1	30.03.23	32395
NAME	ISS.	DATE	CN/CO
APPROVED: M.RUDKIN			
CHECKED: R.PORTLOCK			
DRAWN: F.CHRISPINE			
ASSEMBLY DRG:			

HARWIN

www.harwin.com

TOLERANCES
X. = ±1mm
X.X = ±0.50mm
X.XX = ±0.20mm
X.XXX = ±0.01mm
ANGLES = ±5°
UNLESS STATED

THIS DRAWING AND ANY INFORMATION OR DESCRIPTIVE MATTER SET OUT HEREON ARE CONFIDENTIAL AND COPYRIGHT PROPERTY OF THE HARWIN GROUP AND MUST NOT BE DISCLOSED, LOANED, COPIED OR USED FOR MANUFACTURING, TENDERING OR FOR ANY OTHER PURPOSE WITHOUT THEIR WRITTEN PERMISSION.

MATERIAL:
SEE COMPONENT SPECIFICATION C052XX (LATEST ISSUE)

TITLE:
KONA METAL SHELL FOR PCT ASSY

DRAWING NUMBER:
KA1-950XX02

SHT
3
OF
3