

# Datamate Mix-Tek Housings

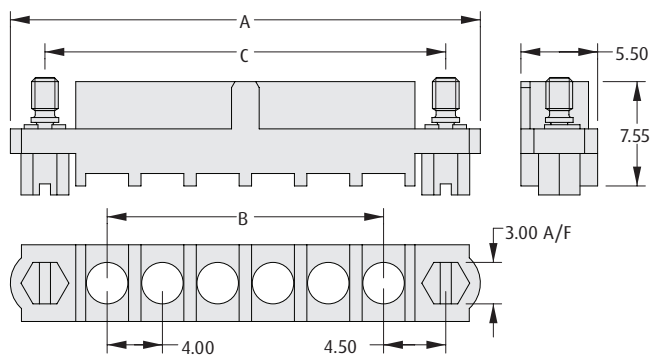
## Female Power/Coax Cable Housings

- Female cable housings fitted with floating jackscrews (standard gender).
- Choice of hexagonal slotted or hex socket for the jackscrew head.
- Compatible with all power and coax female cable contacts.
- Housings only - compatible contacts must be purchased separately.
- Mates with any male connectors with the same power/coax layout.
- For other combinations shown on the Technical Drawing, please consult our Experts at [www.harwin.com/contact](http://www.harwin.com/contact).



DATAMATE MIX-TEK

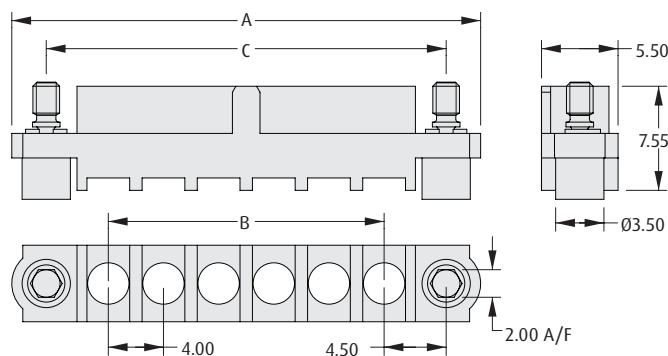
### HEX SLOTTED JACKSCREW



#### CALCULATION

<b>A</b>	B + 14
<b>B</b>	(No. of contact positions - 1) x 4
<b>C</b>	B + 9

### HEX SOCKET JACKSCREW



### HOW TO ORDER

**M80 - 263 XX XX - 00 - 00**

SERIES CODE

HOUSING

263 Female

NO. OF POWER/COAX CONTACT POSITIONS

02, 03, 04, 06, 08	All variations
10	F1 jackscrew only

JACKSCREW

F1	Floating Hex Slotted
F2	Floating Hex Socket

All dimensions in mm.