

# Datamate J-Tek Connectors

## Female Vertical PC Tail Reverse Fix

- ❖ Fully shrouded contacts.
- ❖ Polarised mouldings.
- ❖ Includes board mount fixing.
- ❖ Mates with male Datamate J-Tek connectors with compatible Reverse Fix jackscrews.

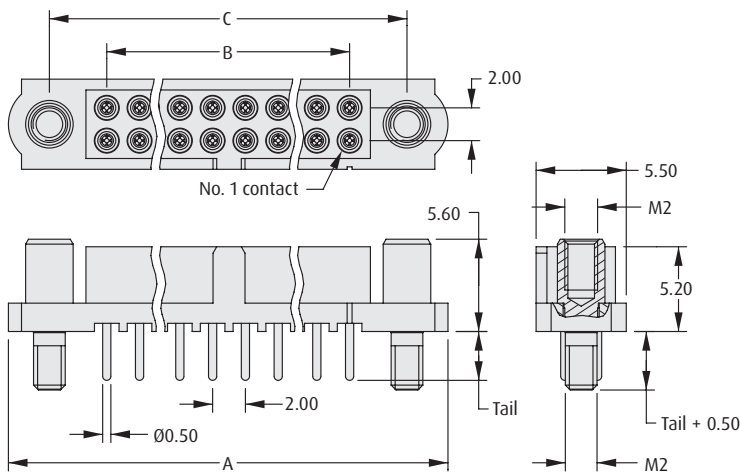


DATAMATE J-TEK

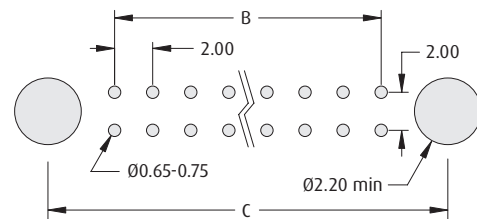
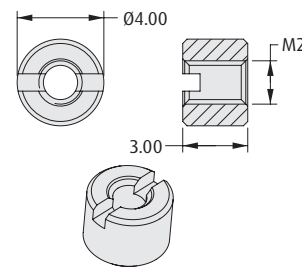
### REVERSE FIX

### CALCULATION

<b>A</b>	B + 12
<b>B</b>	Total no. of contacts - 2
<b>C</b>	B + 7



### Board Mount Nut, 2 per connector



Recommended PC Board Pattern

### HOW TO ORDER

**M80 - 40 X XX XX**

#### SERIES CODE

#### TYPE

<b>5</b>	3mm Tails
<b>6</b>	4.5mm Tails

#### FINISH

<b>05</b>	Gold
<b>42</b>	Gold + Tin

#### TOTAL NO. OF CONTACTS

04, 06, 08, 10, 12, 14, 20, 26, 34, 42, 50

All dimensions in mm.