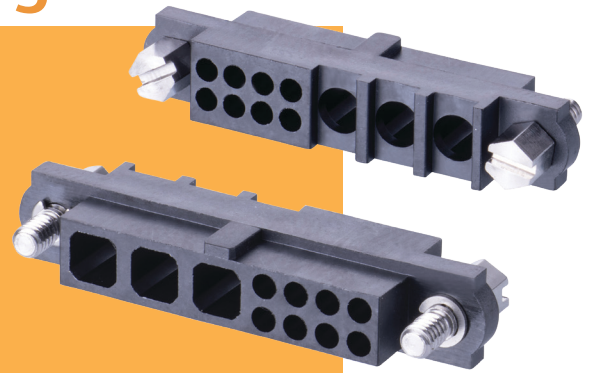


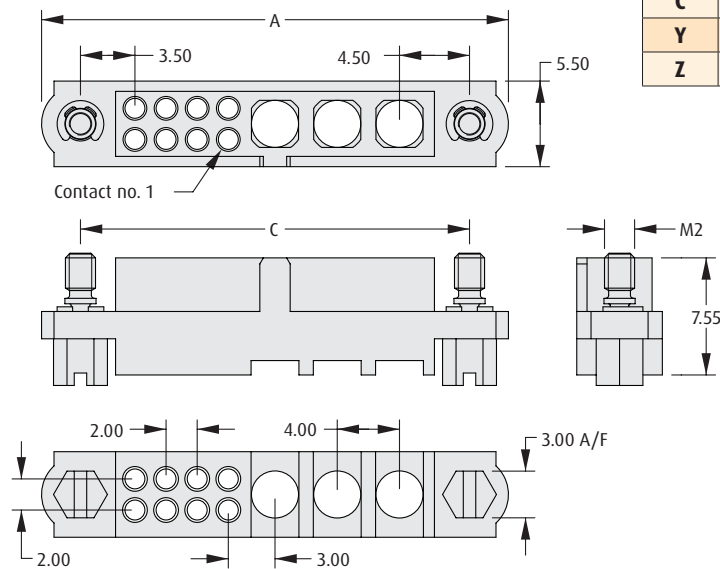
Datamate Mix-Tek Housings

Female Mixed Technology Cable Housings

- Female cable housings fitted with floating jackscrews (standard gender), hexagonal slotted heads.
- Compatible with all signal, power and coax female cable contacts.
- Housings only - compatible contacts must be purchased separately.
- Mates with any male mixed-technology connectors with the same signal + power/coax layout.
- For other combinations shown on the Technical Drawing, please consult our Experts at www.harwin.com/contact.



SIGNAL + POWER/COAX



CALCULATION

A	$(4 \times Y) + Z + 10$
C	$(4 \times Y) + Z + 5$
Y	No. of Power/Coax Contact positions
Z	No. of Signal Contact positions

HOW TO ORDER

M80 - 263 F1 XX - XX - 00

SERIES CODE

HOUSING

263 Female

CONTACT POSITION COMBINATIONS

02-06	2 power/coax positions, 6 signal positions
02-08	2 power/coax positions, 8 signal positions
03-08	3 power/coax positions, 8 signal positions
04-02	4 power/coax positions, 2 signal positions
04-04	4 power/coax positions, 4 signal positions
04-12	4 power/coax positions, 12 signal positions
06-02	6 power/coax positions, 2 signal positions

JACKSCREW

F1 Floating Hex Slotted, Standard Gender

All dimensions in mm.