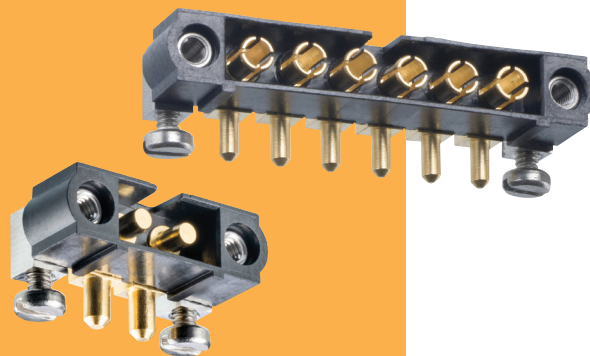


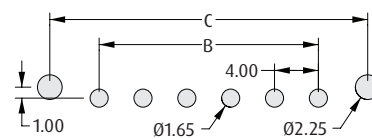
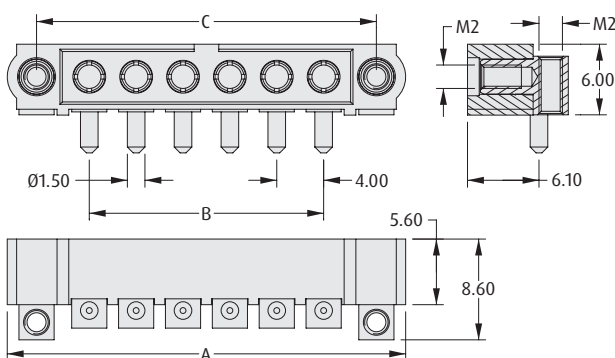
# Datamate Power Connectors

## Male Horizontal Throughboard

- Choice to suit two PCB thicknesses and two stud lengths.
- Standard Power contacts rated to 20A.
- High Power rated to 40A nominal, up to 80A max.

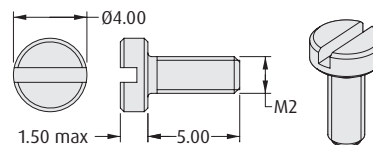


### STANDARD POWER



Recommended PC Board Pattern

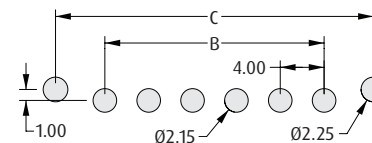
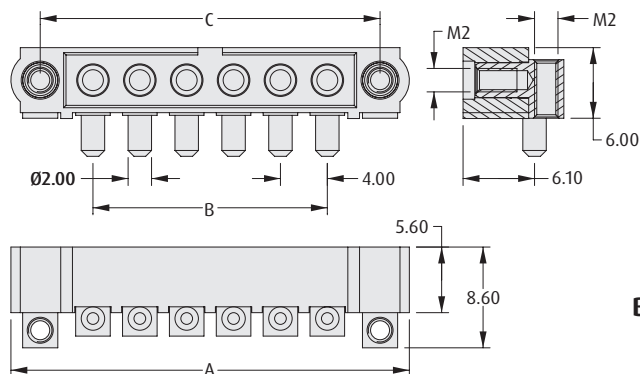
Board Mount Bolt,  
2 per connector



#### CALCULATION

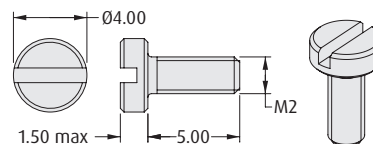
<b>A</b>	$B + 14$
<b>B</b>	$(\text{No. of Power contacts} - 1) \times 4$
<b>C</b>	$B + 9$

### HIGH POWER



Recommended PC Board Pattern

Board Mount Bolt,  
2 per connector



### HOW TO ORDER

**M80 - 500000 M5 - XX - XXX - 00 - 000**

NO. OF POWER CONTACTS	
02, 04, 06, 08, 10	Standard Power
02, 04, 06,	High Power

POWER CONTACTS PART NO.	
333	3.5mm Tail Standard Power
PM3	3.5mm Tail High Power

All dimensions in mm.