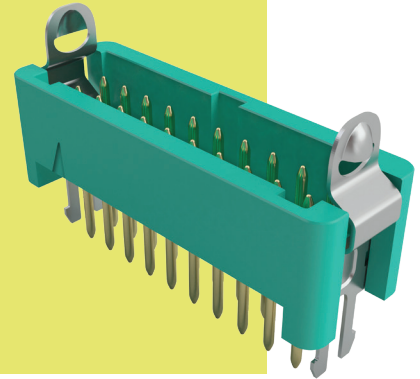


# Gecko with Latches Connectors

## Male Vertical Throughboard

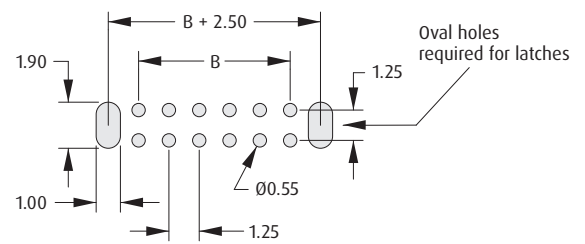
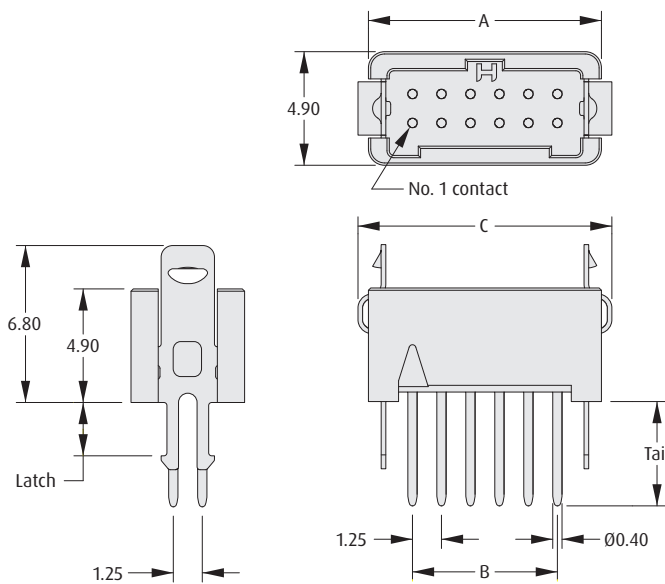
- Secure fixing to the PCB via retention bars for through hole.
- Easy-to-release latches require no tooling.
- 2A current capacity, resists high vibration and shock.
- Withstands extremes of temperature: -65°C to +150°C.



### THROUGHBOARD

### CALCULATION

<b>A</b>	$B + 3.8$
<b>B</b>	$0.625 \times (\text{Total No. of contacts} - 2)$
<b>C</b>	$B + 5.2$



Recommended PC Board Pattern

### HOW TO ORDER

**G125 - M VX XX 05 LX X**

**SERIES CODE**

**TYPE**

<b>V1</b>	3mm Throughboard Tail
<b>V2</b>	4.5mm Throughboard Tail

**TOTAL NO. OF CONTACTS**

**06, 10, 12, 16, 20, 26, 34, 50**

**PACKAGING**

<b>R</b>	Tape & Reeled
<b>P</b>	Tape & Reel strips

**LATCH**

<b>L0</b>	No Latch
<b>L1</b>	Latch for 1.6mm PCB (use with V1)
<b>L2</b>	Latch for 2.4mm PCB (use with V2)

**FINISH**

**05** Gold