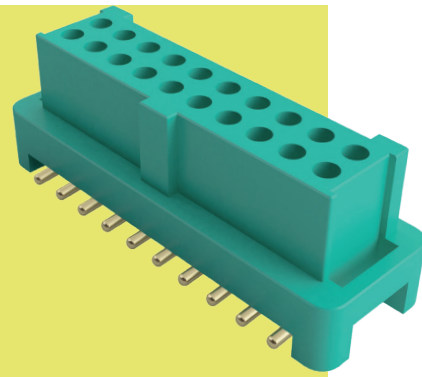


Gecko with Latches Connectors

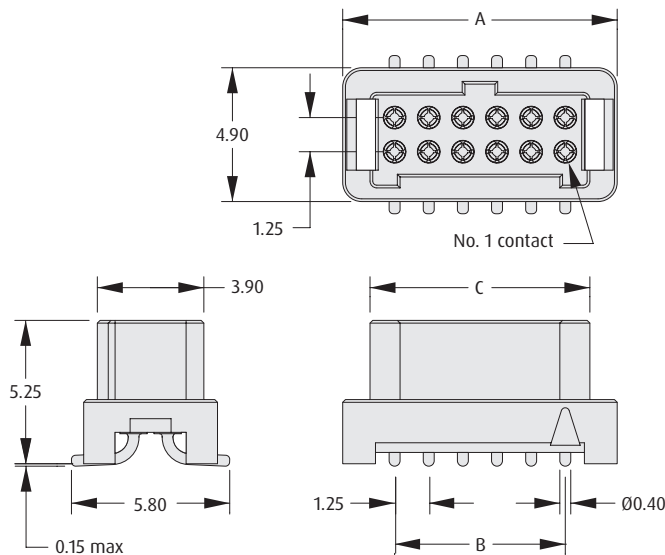
GECKO WITH LATCHES

Female Surface Mount

- ❑ 4-finger Beryllium Copper contact.
- ❑ Positive keyway polarization features.
- ❑ 2A current capacity, resists high vibration and shock.
- ❑ Withstands extremes of temperature: -65°C to +150°C.
- ❑ Available in Tape and Reel Packaging, with Pick and Place cap.

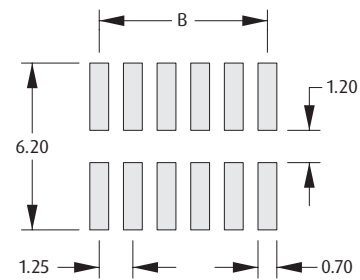


SURFACE MOUNT



CALCULATION

A	$B + 3.8$
B	$0.625 \times (\text{Total No. of contacts} - 2)$
C	$B + 1.8$



Recommended PC Board Pattern

HOW TO ORDER

G125 - F S1 XX 05 L0 X

SERIES CODE

TYPE

S1 Surface Mount

PACKAGING

R	Tape & Reeled
P	Tape & Reel strips

FINISH

05 Gold

TOTAL NO. OF CONTACTS

06, 10, 12, 16, 20, 26, 34, 50