

Gecko-SL Connectors

Metal Hood / Backshell - Board Mount or Panel Mount

- ❖ Use with G125-MV1xx05M2x male connectors or G125-FV1xx05F3x female connectors in a PCB mounted application.
- ❖ Use with G125-324xx96M2 male housings or G125-224xx96F3 female housings in a panel mount application.
- ❖ Mating connector to be fitted with metal backshell G125-964xxF1 (shown on previous page) for complete EMC shielded connection.

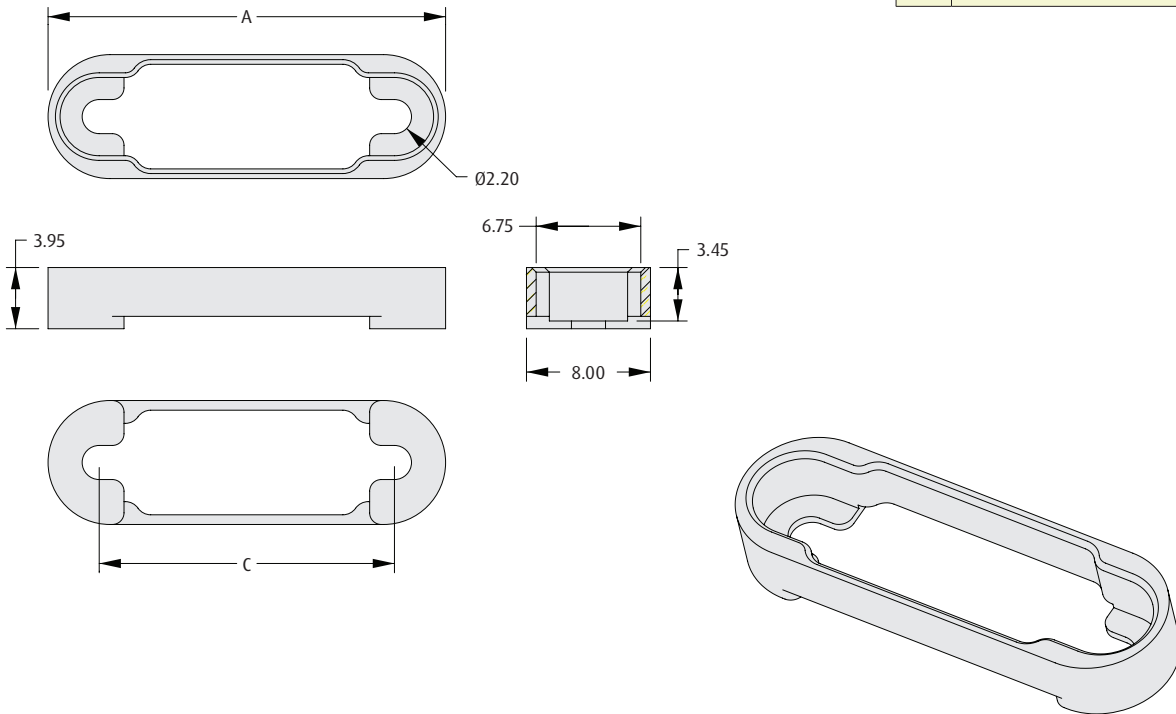


GECKO-SL

HOOD / BACKSHELL

CALCULATION

A	$B + 14.4$
B	$0.625 \times (\text{Total No. of contacts} - 2)$
C	$B + 7.8$



HOW TO ORDER

G125 - 960 XX 02

SERIES CODE

TOTAL NO. OF CONTACTS

06, 10, 12, 16, 20, 26, 34, 50