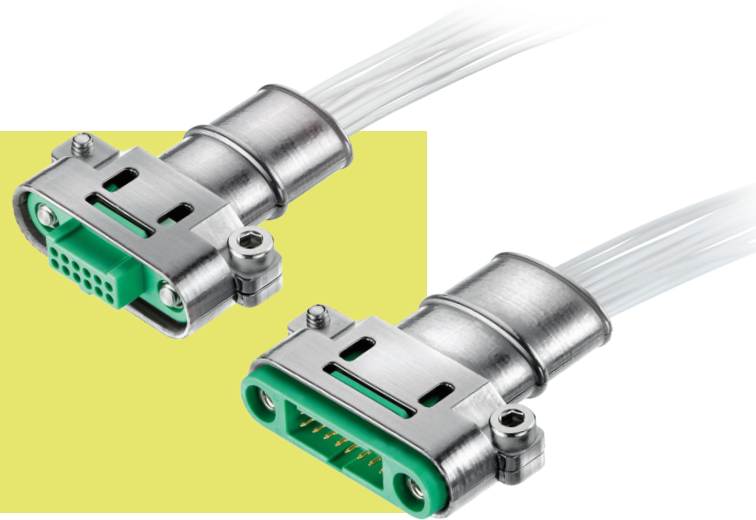


# Gecko-SL Connectors

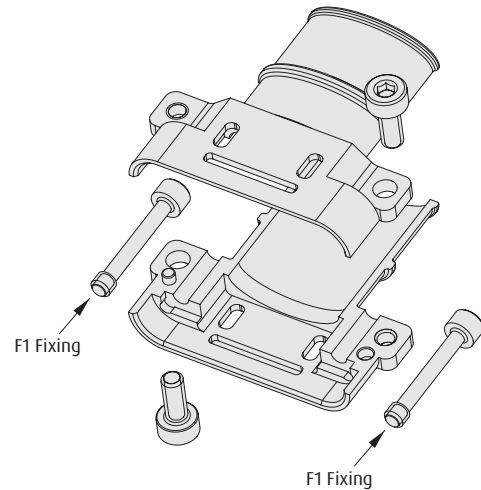
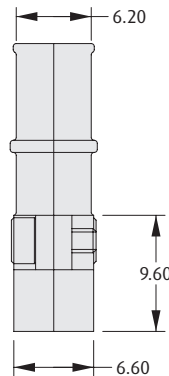
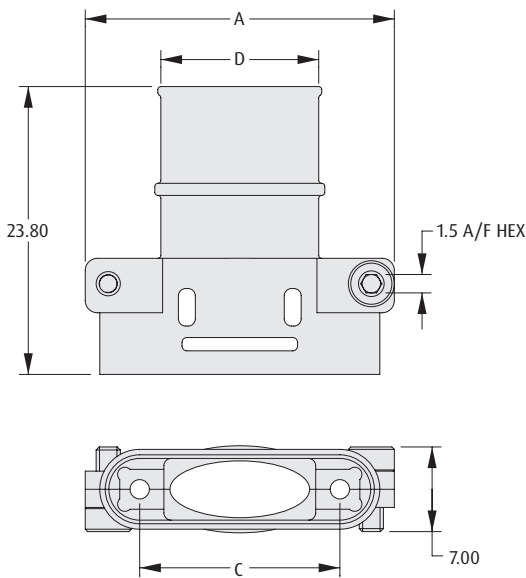
GECKO-SL

## Metal Hood / Backshell - Cable

- ❖ Supplied as a kit - includes 2 metal hood halves, and short screws & nuts to join the two hood halves together (nuts not illustrated).
- ❖ Use 00 fixing kit on male housings G125-324xx96M1 for standard gender fixings.
- ❖ F1 kit includes extended fixing screws - use with female housings G125-224xx9600 for standard gender fixings, or G125-324xx9600 for reverse fix.



### HOOD / BACKSHELL



### CALCULATION

<b>A</b>	$B + 16.8$
<b>B</b>	$0.625 \times (\text{Total No. of contacts} - 2)$
<b>C</b>	$B + 7.8$
<b>D</b>	$B + 4.3$

### HOW TO ORDER

**G125 - 964 XX XX**

**SERIES CODE**

### SCREW-LOK

<b>00</b>	Use with G125-324xx96M1 male housings
<b>F1</b>	Use with G125-224xx9600 female housings or G125-324xx9600 male housings

### TOTAL NO. OF CONTACTS

**06, 10, 12, 16, 20, 26, 34, 50**

### BAND-IT TIE

- ❖ For fixing braid to rear collar (requires Tie Dex II A30199 Micro Band tool).



### ORDER CODE

<b>M80-9470000</b>	Length = 206.8mm
<b>M80-9480000</b>	Length = 362.0mm

All dimensions in mm.

Patent Published