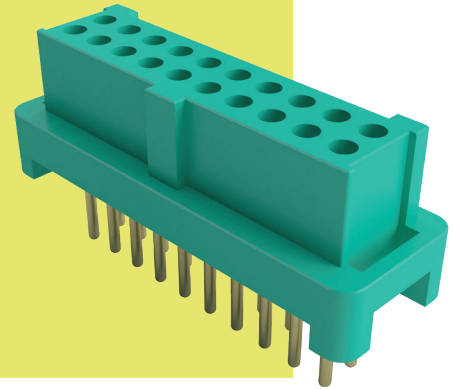


Gecko with Latches Connectors

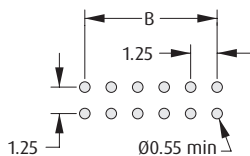
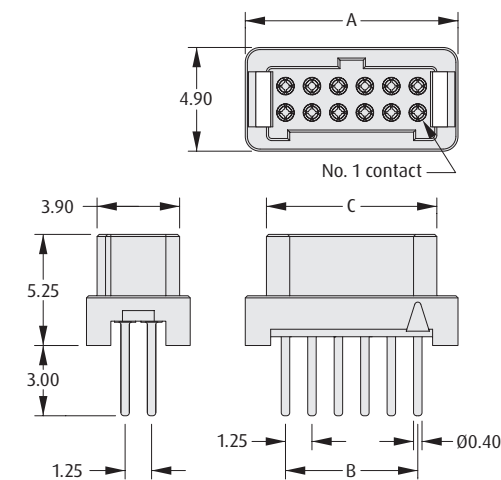
Female Throughboard

- ❖ 4-finger Beryllium Copper contact.
- ❖ Positive keyway polarization features.
- ❖ 2A current capacity, resists high vibration and shock.
- ❖ Withstands extremes of temperature: -65°C to +150°C.



GECKO WITH LATCHES

3mm THROUGHBOARD

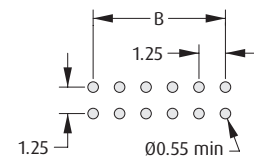
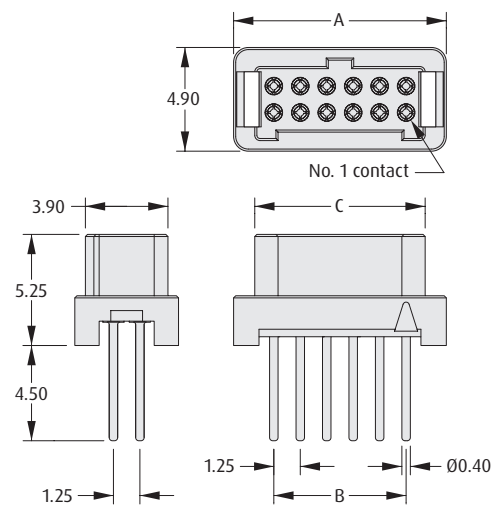


Recommended PC Board Pattern

CALCULATION

A	$B + 3.8$
B	$0.625 \times (\text{Total No. of contacts} - 2)$
C	$B + 1.8$

4.5mm THROUGHBOARD



Recommended PC Board Pattern

HOW TO ORDER

G125 - F VX XX 05 L0 X

SERIES CODE

TYPE

V1	3mm Throughboard
V2	4.5mm Throughboard

PACKAGING

R	Tape & Reeled
P	Loose

FINISH

05	Gold
-----------	------

TOTAL NO. OF CONTACTS

06, 10, 12, 16, 20, 26, 34, 50