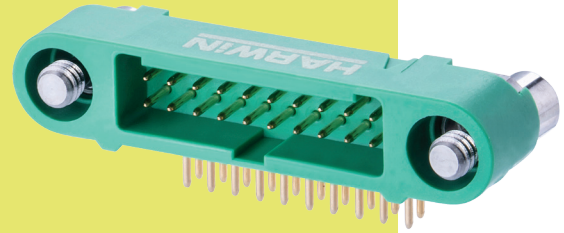


Gecko-SL Connectors

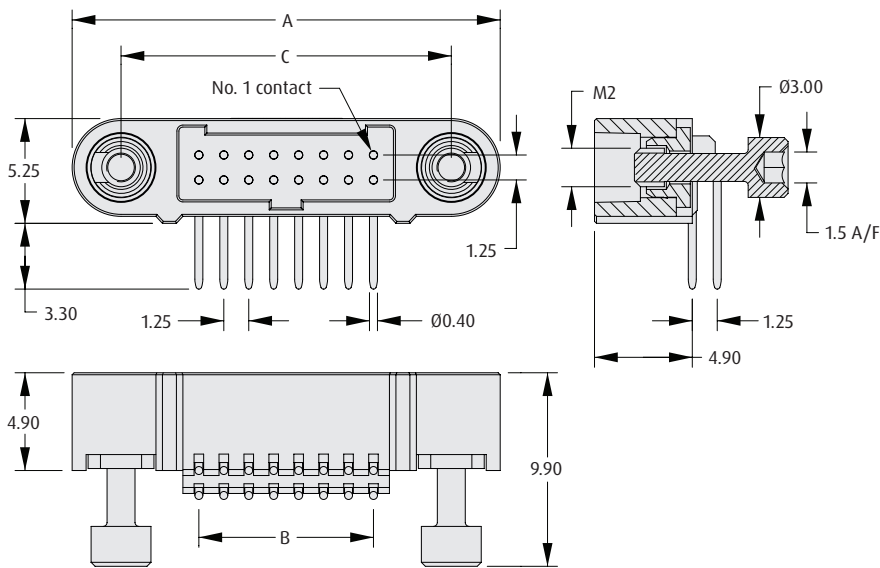
Male Horizontal Throughboard - Reverse Fix

- ❖ Stainless steel screw fixing to mate with applicable female connector.
- ❖ No. 1 position identified on housing.
- ❖ If mating to a female cable connector, ensure the front face of this connector is level to the PCB edge, or over. Check Technical Drawing for details.



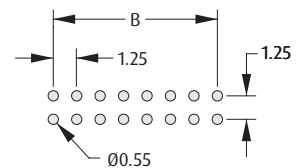
GECKO-SL

THROUGHBOARD



CALCULATION

A	$B + 12.7$
B	$0.625 \times (\text{Total No. of contacts} - 2)$
C	$B + 7.8$



Recommended PC Board Pattern

HOW TO ORDER

G125 - M H1 XX 05 M3 X

SERIES CODE

TYPE

H1 3mm Throughboard

TOTAL NO. OF CONTACTS

06, 10, 12, 16, 20, 26, 34, 50

PACKAGING

R	Tape & Reeled
P	Tape & Reel strips

FINISH

05 Gold

All dimensions in mm.

Patent Published