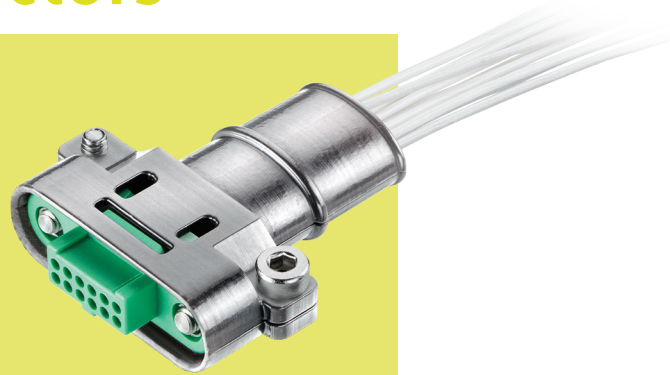


Gecko Screw-Lok Connectors

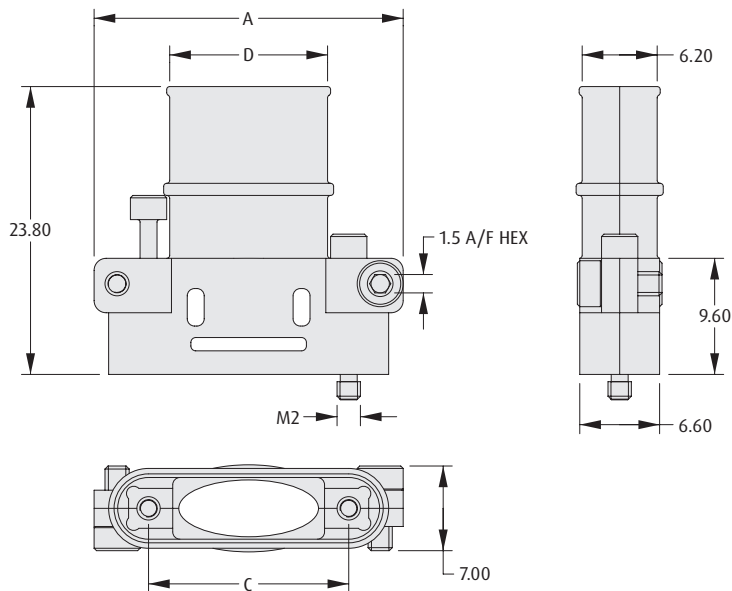
GECKO SCREW-LOK

Female Metal Hood / Backshell

- ❖ Supplied as a kit, including 2 metal hood halves, extended fixing screws for female connectors, and short screws to join the two hood halves together.
- ❖ Use with G125-224xx9600 female crimp housings without fixings - fixings are supplied with these hoods.
- ❖ Tie-band can be used to attach external braid, to construct a shielded cable assembly.

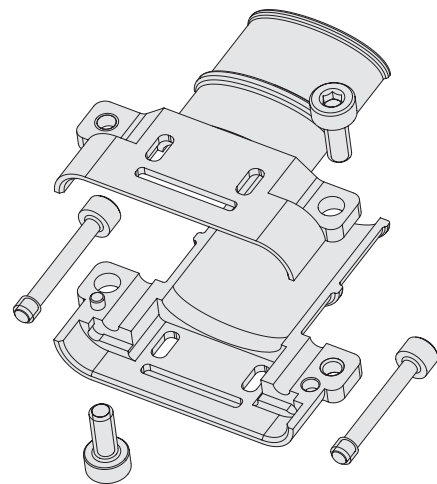


HOOD / BACKSHELL



CALCULATION

A	$B + 16.8$
B	$0.625 \times (\text{Total No. of contacts} - 2)$
C	$B + 7.8$
D	$B + 4.3$



BAND-IT TIE

- ❖ For fixing braid to rear collar (requires Tie Dex II A30199 Micro Band tool).



ORDER CODE

M80-9470000	Length = 206.8mm
M80-9480000	Length = 362.0mm

HOW TO ORDER

G125 - 964 XX F1

SERIES CODE

TOTAL NO. OF CONTACTS

06, 10, 12, 16, 20, 26, 34, 50

All dimensions in mm.

Patent Published