

Pogo Pins

Single Spring Loaded Contacts – SMT with Peg

- ❖ These pogo pins are intended to be used as surface mount with a location peg, but they can also be used as a throughboard tail version.
- ❖ Available in Tape and Reeled packaging format for automated assembly methods.
- ❖ Gold finish for improved wear resistance.
- ❖ Additional height options shown on following page.



❖ Packaging

Reel quantity

- P70-6000045R: 1,800 on a Ø330mm reel
- P70-2000045R: 800 on a Ø330mm reel
- P70-2010045R: 700 on a Ø330mm reel

❖ Electrical

Current

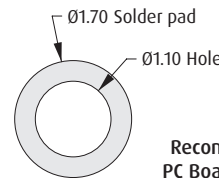
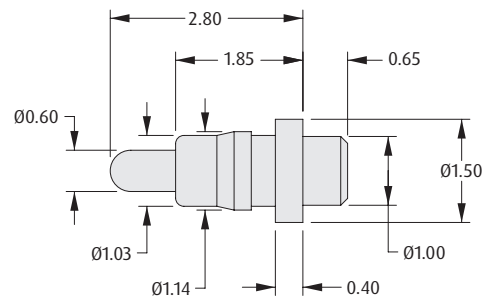
- P70-6000045R: 1A
- P70-2000045R: 2A
- P70-2010045R: 2A

❖ Mechanical

Spring force at working height

- P70-6000045R: 0.39N ±0.09N at 2.10mm working height
- P70-2000045R: 1.27N ±0.34N at 2.90mm working height
- P70-2010045R: 1.32N +0.39/-0.29N at 4.00mm working height

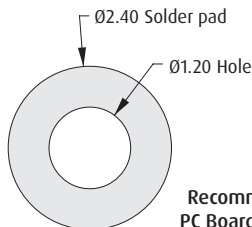
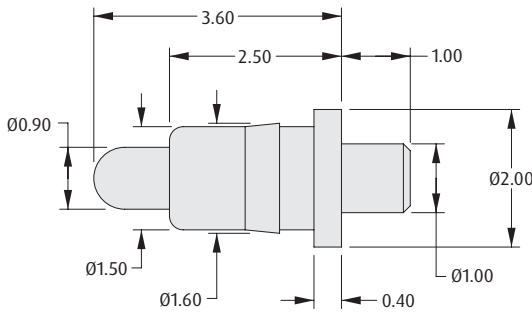
2.8mm FREE HEIGHT



Recommended
PC Board Pattern

ORDER CODE
P70-6000045R

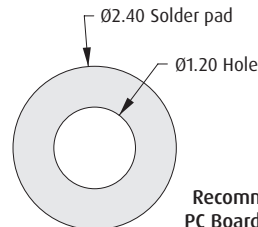
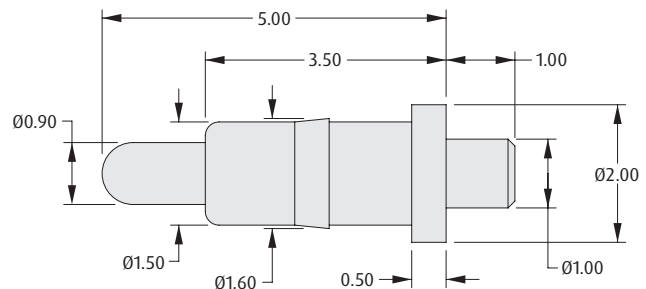
3.6mm FREE HEIGHT



Recommended
PC Board Pattern

ORDER CODE
P70-2000045R

5.0mm FREE HEIGHT



Recommended
PC Board Pattern

ORDER CODE
P70-2010045R

All dimensions in mm.