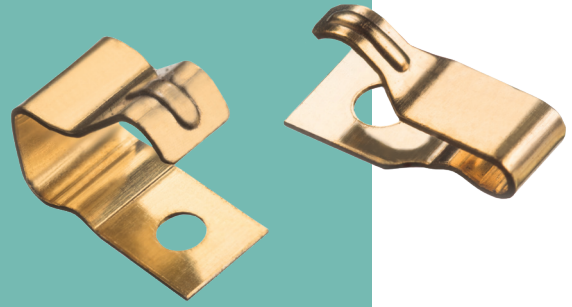


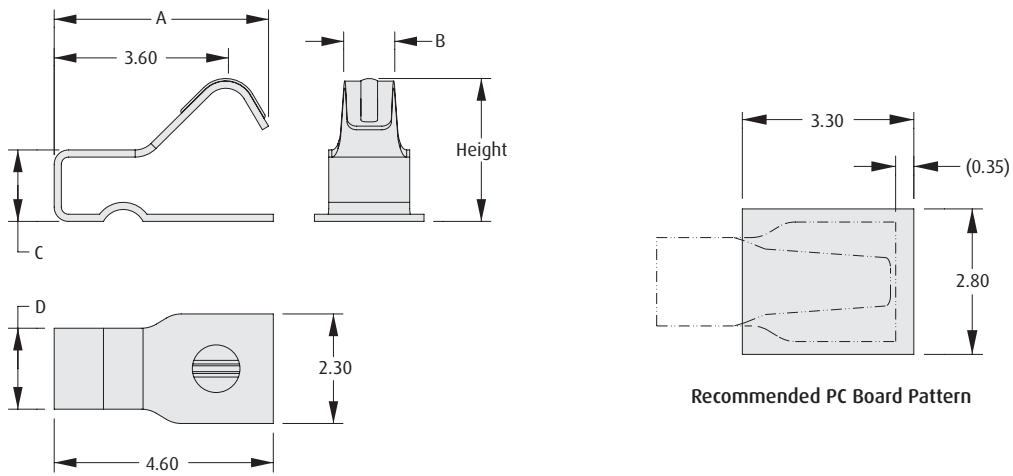
# Spring Contacts

## Extended Antenna Contacts

- Extended beam miniature spring contacts, ideal for antenna feed in mobile devices.
- Identical footprint contacts, with incremental step heights from 2mm to 5mm.
- Suitable for both wiping and sliding actions.
- Surface Mount with Pick and Place area for automated placement.
- Packaged in standard (EIA 481) Tape & Reel format.



### EXTENDED ANTENNA CONTACTS



### HOW TO ORDER

PART NO.	HEIGHT	DIM A	DIM B	DIM C	DIM D	FINISH
<b>S7131-45R</b>	2.00	4.30	0.80	1.00	1.55	Gold
<b>S7141-45R</b>	2.50	4.50	0.80	1.00	1.55	Gold
<b>S7151-45R</b>	3.00	4.50	0.90	1.50	1.70	Gold
<b>S7161-45R</b>	3.50	4.50	1.05	2.00	1.95	Gold
<b>S7171-45R</b>	4.00	4.50	1.36	2.50	2.30	Gold
<b>S7181-45R</b>	4.50	4.50	1.82	3.00	2.50	Gold
<b>S7191-45R</b>	5.00	4.50	2.08	3.50	3.00	Gold

All dimensions in mm.