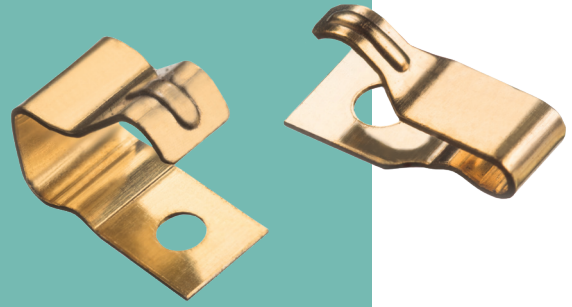


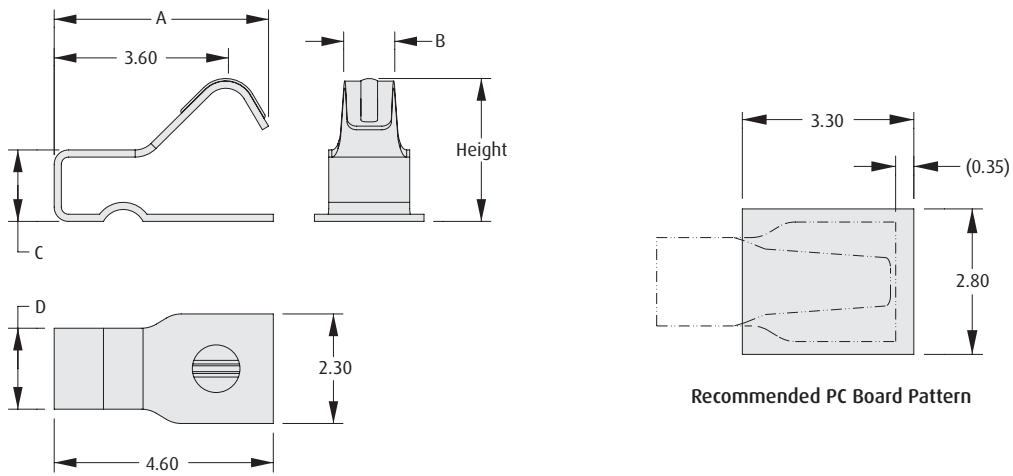
Spring Contacts

Extended Antenna Contacts

- Extended beam miniature spring contacts, ideal for antenna feed in mobile devices.
- Identical footprint contacts, with incremental step heights from 2mm to 5mm.
- Suitable for both wiping and sliding actions.
- Surface Mount with Pick and Place area for automated placement.
- Packaged in standard (EIA 481) Tape & Reel format.



EXTENDED ANTENNA CONTACTS



HOW TO ORDER

PART NO.	HEIGHT	DIM A	DIM B	DIM C	DIM D	FINISH
S7131-45R	2.00	4.30	0.80	1.00	1.55	Gold
S7141-45R	2.50	4.50	0.80	1.00	1.55	Gold
S7151-45R	3.00	4.50	0.90	1.50	1.70	Gold
S7161-45R	3.50	4.50	1.05	2.00	1.95	Gold
S7171-45R	4.00	4.50	1.36	2.50	2.30	Gold
S7181-45R	4.50	4.50	1.82	3.00	2.50	Gold
S7191-45R	5.00	4.50	2.08	3.50	3.00	Gold

All dimensions in mm.