

# PC Board Sockets

## SYCAMORE Contact, 3-Beam

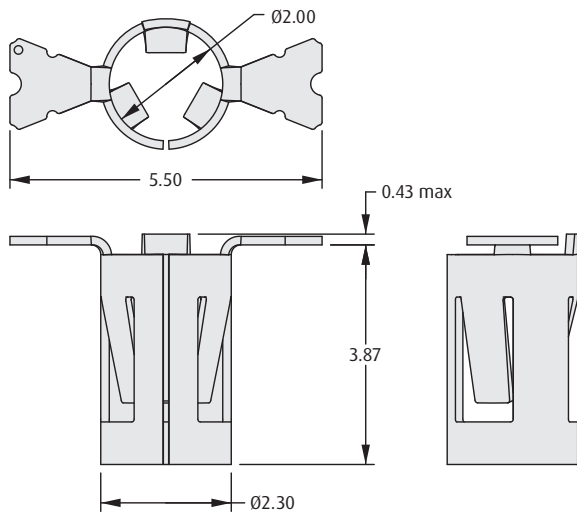
The SYCAMORE Contact is a low-profile single-piece open-ended socket design.

- 3 points of contact for enhanced reliability.
- SMT product is pick and place-able using standard assembly machines.
- Beryllium Copper base material for enhanced temperature range of -50°C to +125°C.
- Gold plating for improved durability and decreased wear.

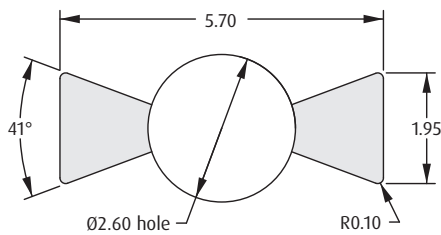
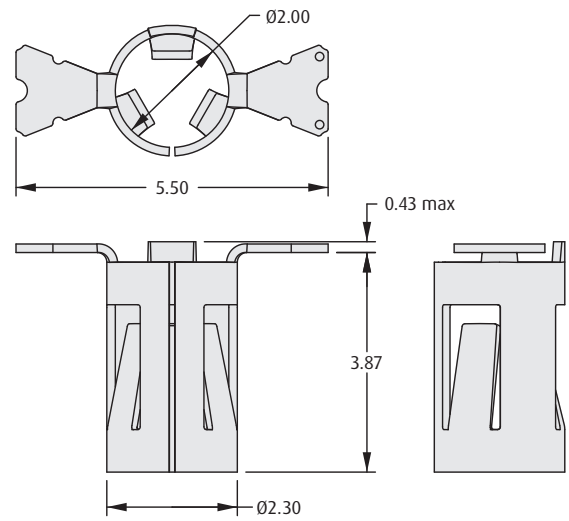


SOCKETS

### TOP ENTRY

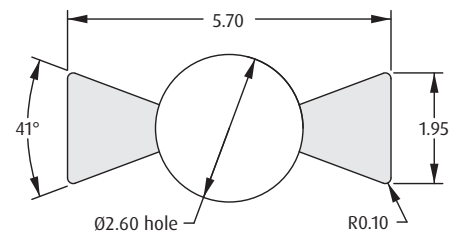
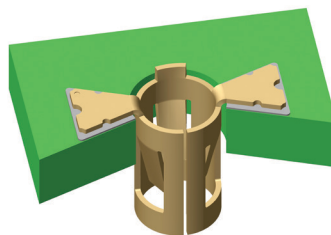


### BOTTOM ENTRY



Recommended PC Board Pattern

### Orientation of SMT Socket in PCB



Recommended PC Board Pattern

### HOW TO ORDER

**S91X1 - 45 R**

SERIES CODE	
<b>S9111</b>	Top Entry, Ø1.5 to Ø1.9mm Mating pin
<b>S9121</b>	Bottom Entry, Ø1.5 to Ø1.9mm Mating pin
<b>S9131</b>	Top Entry, Ø0.8 to Ø1.3mm Mating pin
<b>S9141</b>	Bottom Entry, Ø0.8 to Ø1.3mm Mating pin

PACKAGING	
<b>R</b>	Tape & Reeled

FINISH	
<b>45</b>	Gold

All dimensions in mm.

Patent Published