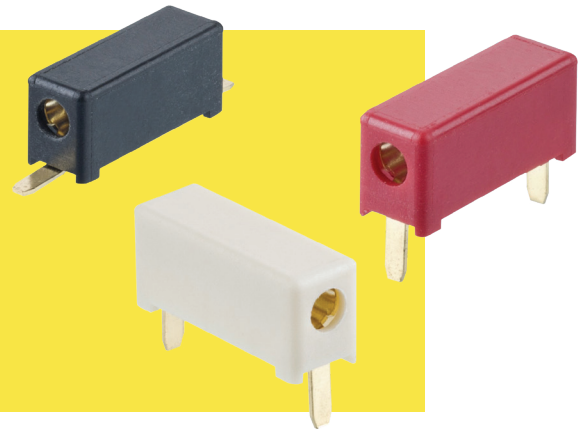


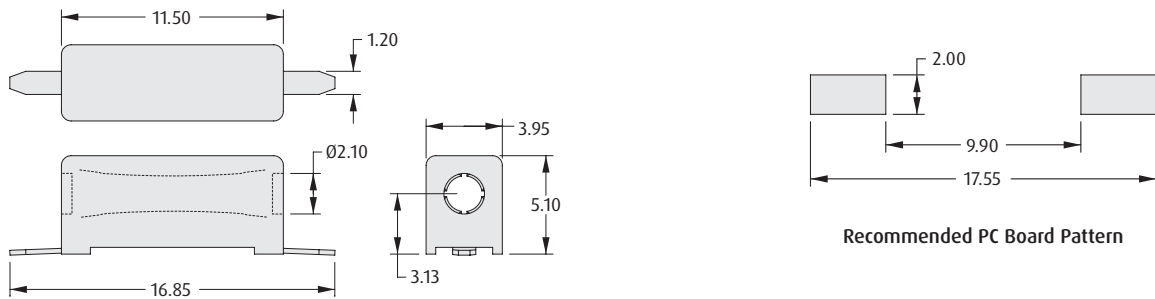
# Test Sockets

## Ø2.03mm Mating Probe

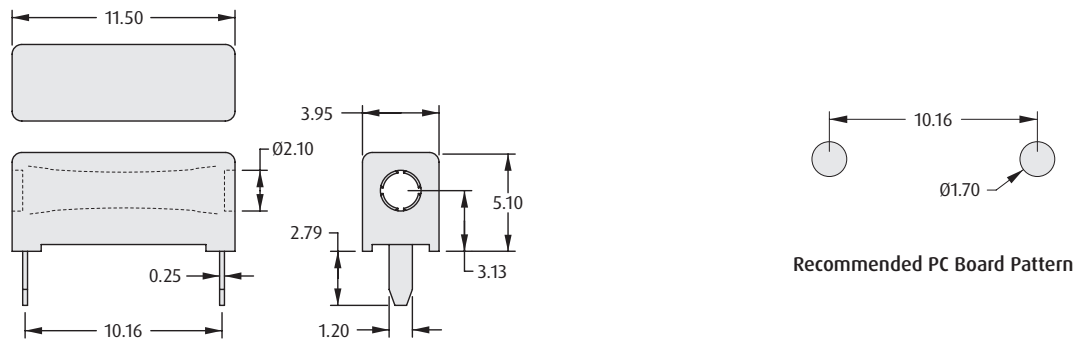
- ❖ Dual entry horizontal sockets with gold plated contacts.
- ❖ Colour coded options available.
- ❖ Surface Mount product features a flat top area, and is available in tape and reel packaging for automated assembly, using standard pick and place machines.
- ❖ 5A current rating and 1,500V voltage rating.
- ❖ Please consult Technical Drawings online for further specifications.



### SURFACE MOUNT



### PC TAIL / THROUGHBOARD



### HOW TO ORDER

**M349 X - XX X**

**SERIES CODE**

**TYPE**

<b>7</b>	Surface Mount
<b>8</b>	PC Tail / Throughboard

**PACKAGING**

<b>Blank</b>	Loose
<b>R</b>	Tape & Reeled (M3497 only)

**TYPE**

<b>94</b>	White (M3498 only)
<b>98</b>	Black
<b>99</b>	Red (M3498 only)

All dimensions in mm.