

# M20 Connectors

2.54mm (.100") PITCH

## Pin Header Variants

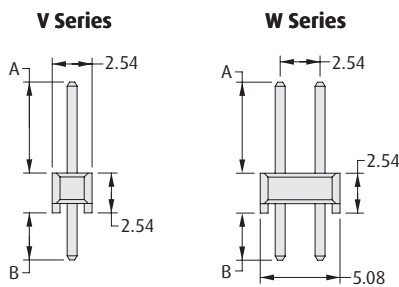
- ❖ If you are unable to specify the connector you require from our standard range of M20 connectors, use the order code below to create an application-specific connector.
- ❖ Contact [technical@harwin.com](mailto:technical@harwin.com) for further information, or search online for M20-XXX.
- ❖ Suitable for use with female connectors shown on previous pages.



## TERMINATION STYLES

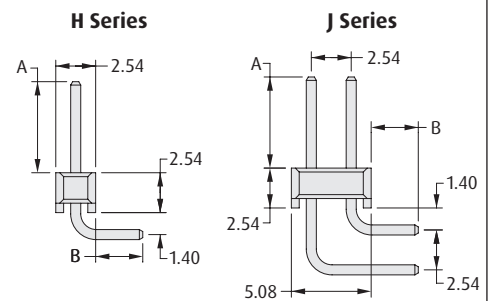
### Vertical PC Tail

- ❖ Pin section is 0.64mm square.
- ❖ PCB mounting hole is  $\varnothing 1.00\text{mm}$ .



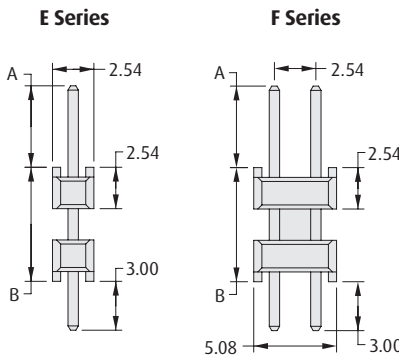
### Horizontal PC Tail

- ❖ Pin section is 0.64mm square.
- ❖ PCB mounting hole is  $\varnothing 1.00\text{mm}$ .
- ❖ Maximum B dimension is 6.00mm.



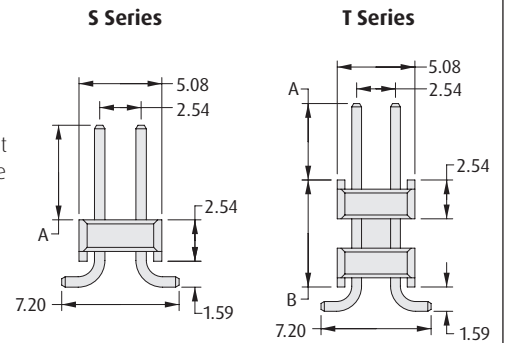
### Extended PC Tail

- ❖ Pin section is 0.64mm square.
- ❖ PCB mounting hole is  $\varnothing 1.00\text{mm}$ .



### Vertical SMT Extended SMT

- ❖ Pin section is 0.64mm square.
- ❖ For PCB pad layout see standard Male SMT pin header.
- ❖ B dimension is 000 on S series.



## HOW TO ORDER

**M20 - XXX XXX X XX XX**

**SERIES CODE**

**DIMENSION A**

Example: 7.8mm = 078

**DIMENSION B**

Example: 5.0mm = 050

**FINISH**

45 Gold

46 Tin

**NO. OF CONTACTS PER ROW**

02 to 40

SINGLE ROW	DOUBLE ROW	
V	W	Vertical
H	J	Horizontal
E	F	Extended
-	S	Surface Mount
-	T	Extended Surface Mount

All dimensions in mm.