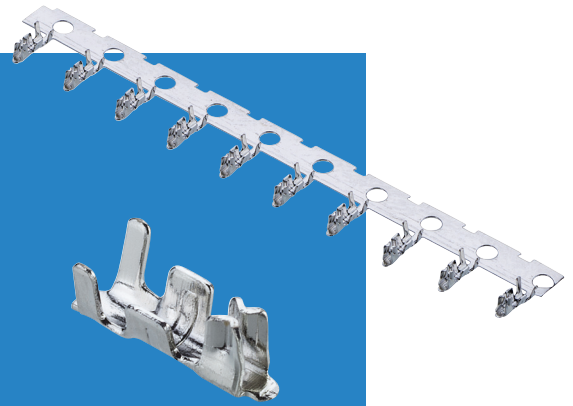


M30 Connectors

Female Crimp Contacts

- ❖ Loose or reeled contacts.
- ❖ Open crimp design, ideal for automation.
- ❖ Use with female crimp housings shown on previous page.
- ❖ Pre-crimped contacts with wire attached shown on following page.

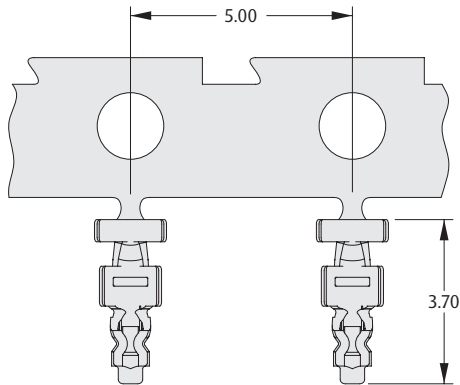


1.25mm (.049") PITCH

CONTACTS

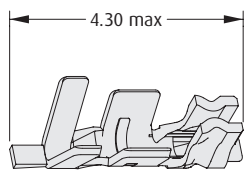
Reeled (continuous strip)

- ❖ Order code is for one reel of 10,000 contacts.



Loose (cropped)

- ❖ Order code is for one pack of 100 contacts.



HAND CRIMP TOOL

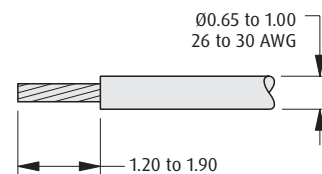
- ❖ Instruction sheet is available at www.harwin.com/instructions.
- ❖ For use with loose contacts.



ORDER CODE

Z30-021

WIRE STRIPPING DETAILS



HOW TO ORDER

M30 - 10 X 00 46

SERIES CODE

TYPE

5	Reeled contact
6	Loose contact

FINISH

46 Tin

All dimensions in mm.