

M40 Cable-to-Board Specification

- A range of cable-to-board connectors on 1.00mm pitch - SMT male connectors and cable female connectors in single and double row options.

Materials

| | |
|-----------------|----------------------------------|
| Housings | |
| SMT Connectors: | High Temp Thermoplastic, UL94V-0 |
| Cable Housings: | Thermoplastic, UL94V-0 |
| Contacts: | Phosphor Bronze |
| Finish: | Tin |

Electrical

| | |
|------------------------|----------------|
| Current: | 1A per contact |
| Working voltage: | 50V AC/DC |
| Voltage proof: | 500V AC/DC |
| Contact resistance: | 30mΩ max |
| Insulation resistance: | 100MΩ min |

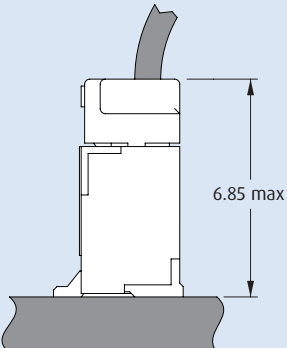
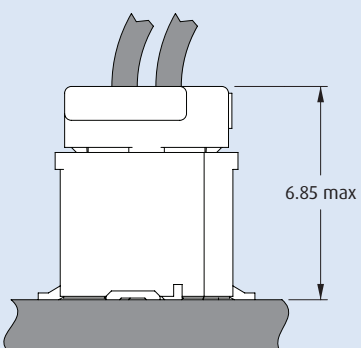
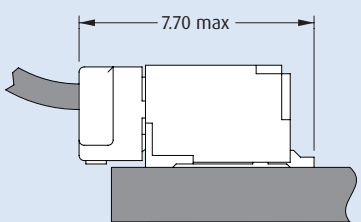
Mechanical

| | |
|------------------------------|------------------------------------|
| Durability: | 50 operations |
| Insertion force (max): | 2.0N per contact |
| Withdrawal force (min): | 0.4N per contact |
| Crimped wire retention (min) | |
| 28 AWG wire: | 12.7N |
| 30 AWG wire: | 9.8N |
| 32 AWG wire: | 4.9N |
| Vibration sensitivity: | 10 – 55Hz, 1.5mm, 6 hours duration |
| Shock severity: | 490m/s ² (50G) for 11ms |

Environmental

| | |
|----------------------------|---------------------|
| Operating temperature: | -25°C to +85°C |
| Solderability: | 245°C for 5 seconds |
| Soldering heat resistance: | 260°C for 5 seconds |

Mating Profiles

| | | FEMALE CRIMP | |
|------|----------------|---|---|
| | | SINGLE ROW | DOUBLE ROW |
| MALE | VERTICAL SMT |  |  |
| | HORIZONTAL SMT |  | |

All dimensions in mm.