

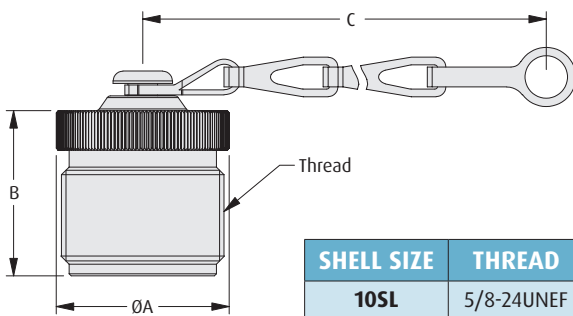
Circular Connectors

Dust Caps & Rubber Bushing

- ❖ Dust cap with external thread for use with Straight Plugs (C90-3106F).
- ❖ Dust cap with internal thread for use with Cable connectors (C90-3101F) and Panel Mount connectors (C90-3102R).
- ❖ Dust caps supplied fitted with chain.
- ❖ Rubber Bushing for use with Cable connectors (C90-3101F).

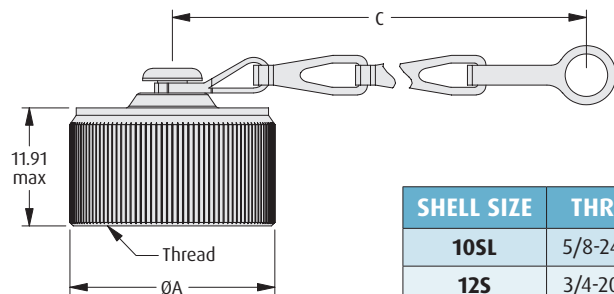


DUST CAP – EXTERNAL THREAD



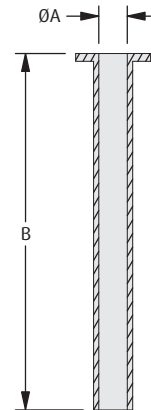
SHELL SIZE	THREAD	ØA max	B max	C
10SL	5/8-24UNEF	17.45	16.66	101.60
12S	3/4-20UNEF	20.62	21.44	114.30
14S	7/8-20UNEF	23.80	21.44	114.30

DUST CAP – INTERNAL THREAD



SHELL SIZE	THREAD	ØA max	C
10SL	5/8-24UNEF	20.70	101.60
12S	3/4-20UNEF	25.40	114.30
14S	7/8-20UNEF	28.57	114.30

RUBBER BUSHING



TYPE	ØA	B
4	5.59	69.85
6	7.92	66.68

HOW TO ORDER

C90 - 2504 X - XXXX

SERIES CODE

TYPE	
2	External thread
3	Internal thread

SIZE

10SL	For 10SL shell size
12S	For 12SL shell size
14S	For 14SL shell size

HOW TO ORDER

C90 - 3420 - X

SERIES CODE

TYPE	
4	For 10SL shell size
4	For 12SL shell size
6	For 14SL shell size

All dimensions in mm.