

M225 Connectors Specifications

Materials

Housings, Pins:	High Temperature Plastic, UL94V-0
Contacts	
Female:	Beryllium Copper, Tin finish
Male:	Phosphor Bronze, Tin finish
Rubber Locking Collar:	Fluoroelastic Polymer

Electrical

Current	
Individual contacts in isolation:	3.3A max (at 25°C) 2.6A max (at 85°C)
All contacts simultaneously:	3.0A max (at 25°C) 2.2A max (at 85°C)
Working voltage:	800V DC or AC peak
Voltage proof:	1,200V DC or AC peak
Contact resistance:	25mΩ max
Insulation resistance:	100MΩ min

Mechanical

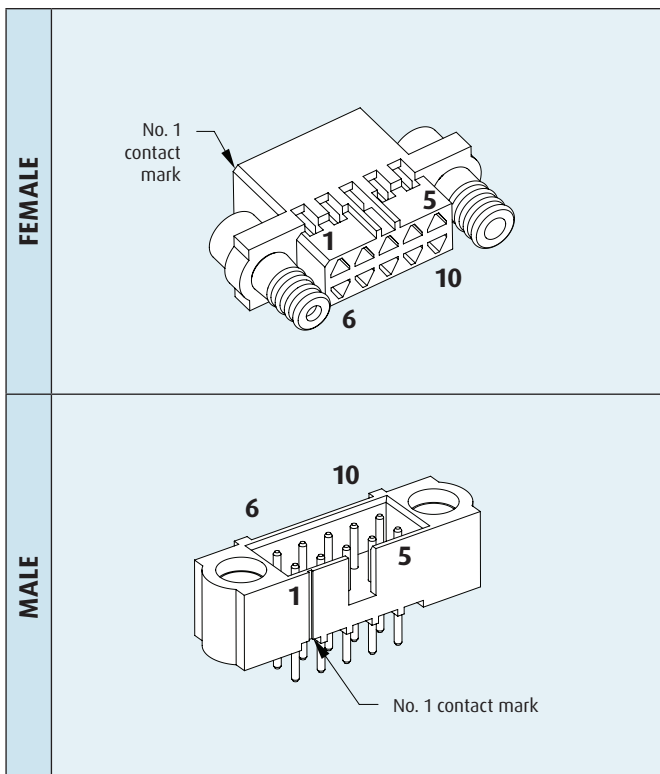
Durability:	50 operations
Insertion force (max):	2.8N per contact
Withdrawal force (min):	0.2N per contact

Environmental

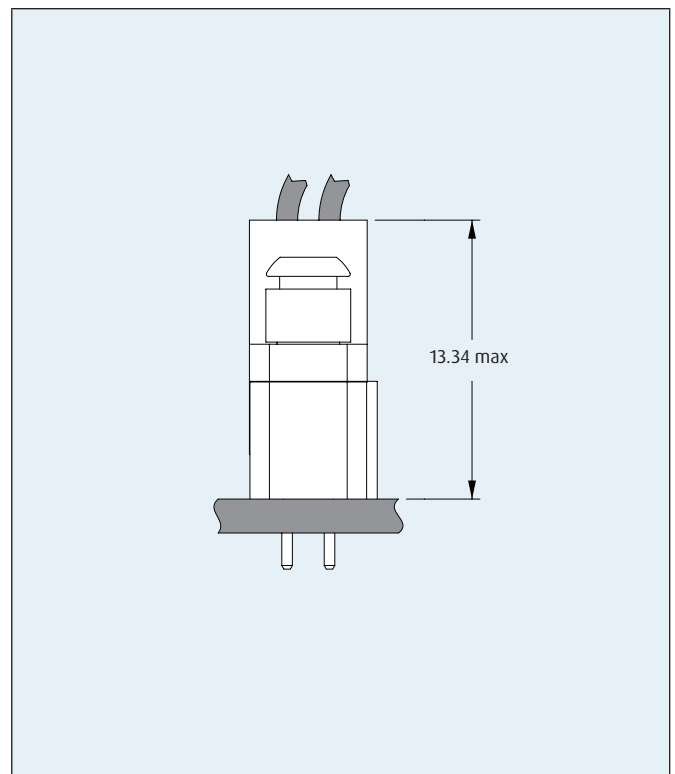
Environmental classification:	55/125/56 days at 95% RH
Operational temperature:	-55°C to +125°C
*Vibration sensitivity:	10Hz to 20000Hz, 0.75mm, 98m/s ² (10G), duration 6 hours
*Bump severity:	390m/s ² (40G), 4000 ±10 bumps
*Shock severity:	981m/s ² (100G), for 6ms
*Acceleration severity:	490m/s ² (50G)

* Tested with fixing pins fully engaged

Pin Numbering



Mating Profile



All dimensions in mm.