

Archer Kontrol Specification

Materials

Housings:	High Temperature Plastic UL94V-0
Cable Cover:	Nylon UL94V-0
Contacts:	Phosphor Bronze
Retaining Strap:	Brass
Cable Latch Spring:	Stainless Steel
Cable Insulation:	PVC
Finish	
Contacts:	Gold on contact area, Tin on tails
Retaining Strap:	Tin

Electrical

Current	
PCB Connectors:	1.2A max per contact
Cable Assemblies:	0.5A max per contact
Working voltage:	100V AC
Voltage proof:	500V AC for 1 minute
Contact resistance	
Initial:	25mΩ max
After Conditioning:	35mΩ max
Insulation resistance	
PCB Connectors:	10GΩ min
Cable Assemblies:	1GΩ min
Data Rate:	Up to 3GBits/s

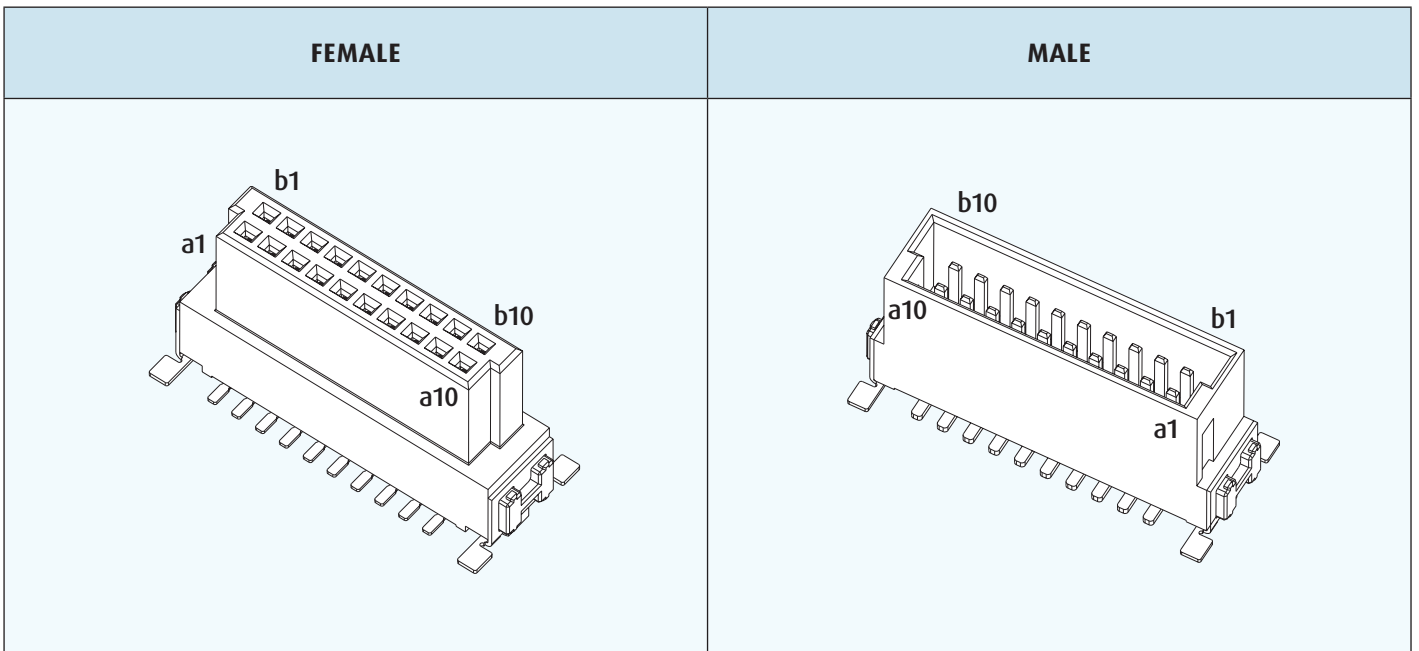
Mechanical

Durability:	500 operations
Insertion force (max):	0.8N per contact
Withdrawal force (min):	0.2N per contact

Environmental

Operating temperature	
PCB Connectors:	-55°C to +125°C
Cable Assemblies:	-20°C to +105°C
Vibration sensitivity:	10Hz to 2000Hz, 1.52mm, 196m/s ² (20G), duration 12h
Solderability:	245°C for 5 seconds
Soldering heat resistance:	260°C for 10 seconds

Pin Numbering



All dimensions in mm.