

Archer Kontrol Specification

Materials

Housings:	High Temperature Plastic UL94V-0
Contacts:	Phosphor Bronze
Retaining strap:	Brass
Finish:	See individual pages
Contacts:	Gold on contact area, Tin on tails
Retaining strap:	Tin

Electrical

Current:	1.2A max per contact
Voltage proof:	500V AC for 1 minute
Contact resistance:	25mΩ max
Insulation resistance:	10GΩ min
Data rate:	Up to 3GBits/s

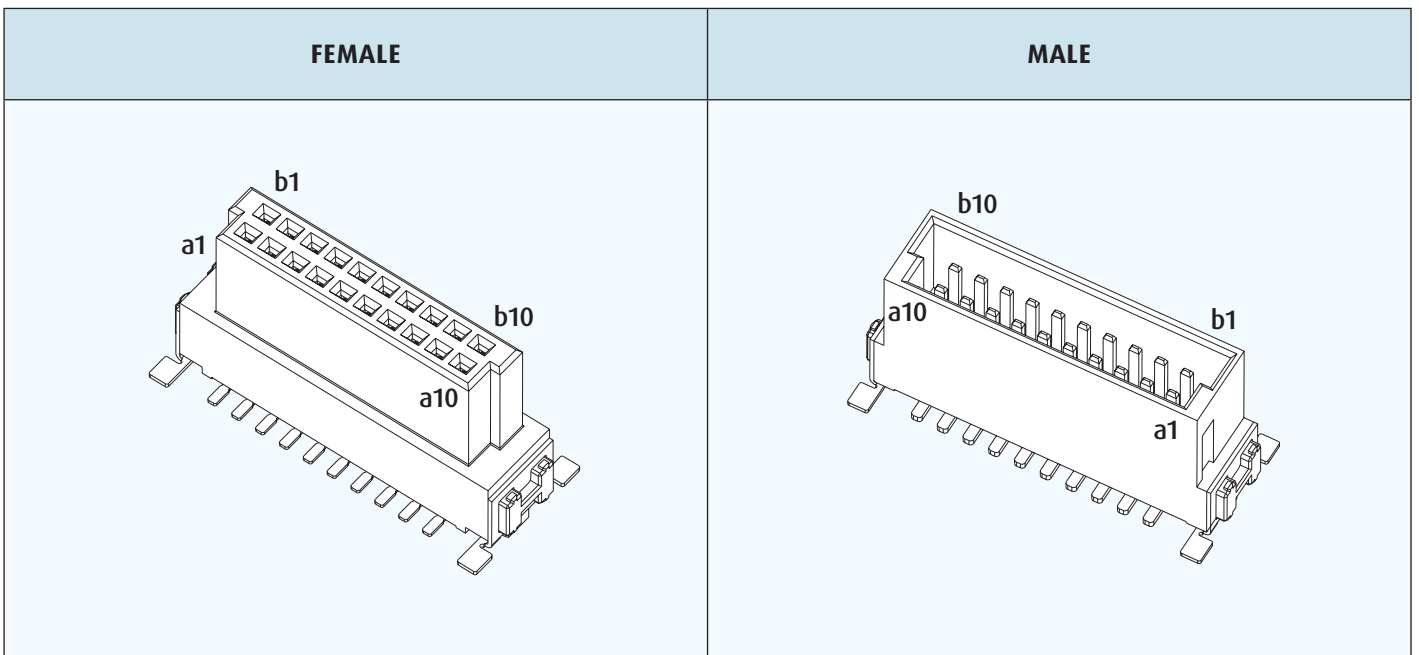
Mechanical

Durability:	500 operations
Insertion force (max):	0.8N per contact
Withdrawal force (min):	0.2N per contact

Environmental

Operating temperature:	-55°C to +125°C
Vibration sensitivity:	10Hz to 2000Hz, 1.52mm, 196m/s ² (20G), duration 12h
Solderability:	245°C for 5 seconds
Soldering heat resistance:	260°C for 10 seconds

Pin Numbering



All dimensions in mm.