

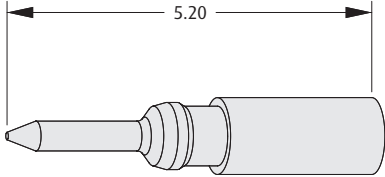
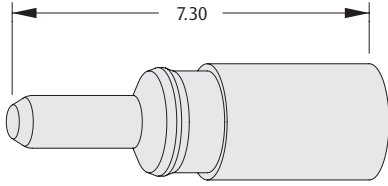
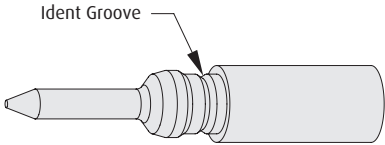
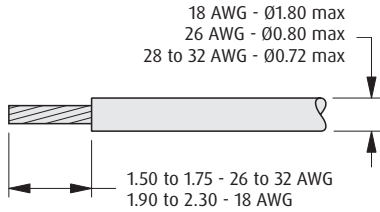
# Gecko-MT Connectors

## Male Crimp Contacts

- Crimp barrel meets all crimp guidelines and standards.
- Instruction video online at [www.harwin.com/harwintv](http://www.harwin.com/harwintv).



GECKO-MT

CONTACTS	POWER CONTACT												
<p><b>26 AWG</b></p> 	<p><b>18 AWG</b></p> 												
<p><b>28 - 32 AWG</b></p> 	<p><b>WIRE STRIPPING DETAILS</b></p>  <p>18 AWG - Ø1.80 max 26 AWG - Ø0.80 max 28 to 32 AWG - Ø0.72 max</p> <p>1.50 to 1.75 - 26 to 32 AWG 1.90 to 2.30 - 18 AWG</p>												
<p><b>TOOLS</b></p> <p><b>Recommended Crimp Tools</b> - Z125-900 (signal), Z125-903 (power)</p> <p><b>Positioner</b> - Z125-901 (signal), Z125-904 (power)</p> <p><b>Contact Insertion/Removal Tool</b> - Z125-902 (signal), Z125-905 (power)</p> <ul style="list-style-type: none"> <li>➤ Male housings shown on previous pages.</li> <li>➤ Instruction sheets available at <a href="http://www.harwin.com/instructions">www.harwin.com/instructions</a>.</li> </ul>													
<p style="text-align: center;"><b>HOW TO ORDER</b></p> <p style="text-align: center;"><b>G125 - 1XX 00 05</b></p> <div style="display: flex; justify-content: space-between;"> <div data-bbox="146 1654 316 1696"> <p><b>SERIES CODE</b></p> </div> <div data-bbox="146 1730 581 1885"> <table border="1"> <thead> <tr> <th colspan="2">TYPE</th> </tr> </thead> <tbody> <tr> <td>001</td> <td>Female 26 AWG crimp contact</td> </tr> <tr> <td>002</td> <td>Female 28-32 AWG crimp contact</td> </tr> <tr> <td>150</td> <td>Male power crimp contact</td> </tr> </tbody> </table> </div> <div data-bbox="1317 1709 1471 1791"> <table border="1"> <thead> <tr> <th colspan="2">FINISH</th> </tr> </thead> <tbody> <tr> <td>05</td> <td>Gold</td> </tr> </tbody> </table> </div> </div>		TYPE		001	Female 26 AWG crimp contact	002	Female 28-32 AWG crimp contact	150	Male power crimp contact	FINISH		05	Gold
TYPE													
001	Female 26 AWG crimp contact												
002	Female 28-32 AWG crimp contact												
150	Male power crimp contact												
FINISH													
05	Gold												

All dimensions in mm.

Patent Published