

# Datamate L-Tek Specification

## Materials

Housings:	Glass-filled thermoplastic UL94V-0
Female contacts:	Brass shell, with Beryllium Copper inner contact
Male contacts:	Copper alloy
Finish:	See individual pages

## Mechanical

Durability:	500 operations
Insertion force (max):	2.8N
Withdrawal force (min):	0.2N
Signal crimp accommodation:	22 AWG to 32 AWG BS 3G 210 Type A, MIL-W-16878

## Electrical

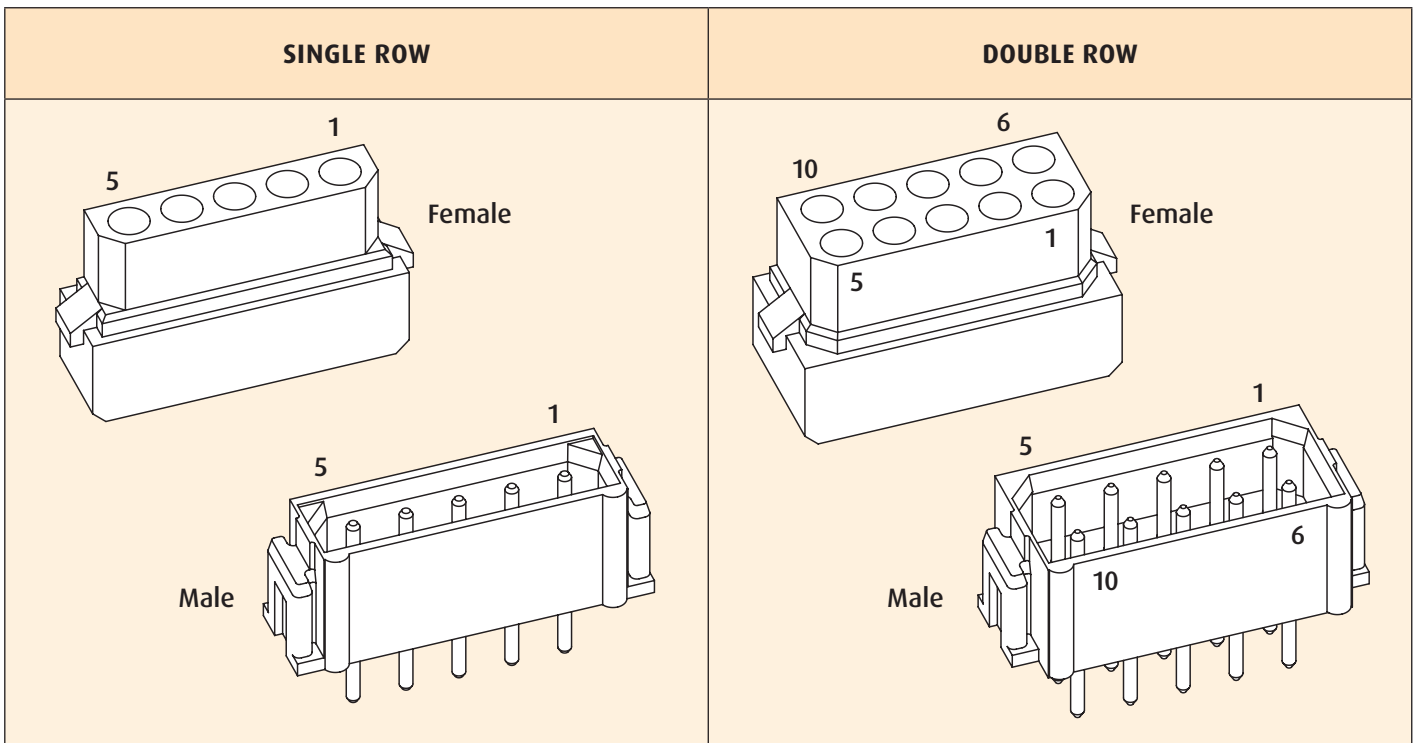
<b>Current</b>	
Individual contacts in isolation:	3.3A max (at 25°C) 2.6A max (at 85°C)
All contacts simultaneously:	3.0A max (at 25°C) 2.2A max (at 85°C)
<b>Working voltage</b>	
At sea level 1013 mbar:	800V DC or AC <sub>rms</sub>
<b>Voltage proof</b>	
At sea level 1013 mbar:	1,200V DC or AC <sub>rms</sub>
<b>Contact resistance</b>	
Initial:	20mΩ max
After conditioning:	25mΩ max
<b>Insulation resistance</b>	
Initial:	1,000MΩ min
After conditioning:	100MΩ min

## Environmental

Environmental classification:	55/125/56 days at 95% RH
Operational temperature:	-55°C to +125°C
*Vibration sensitivity:	10Hz to 2000Hz, 0.75mm, 98m/s <sup>2</sup> (10G), duration 6h
*Bump severity:	390m/s <sup>2</sup> (40G), 4000 ±10 bumps
*Shock severity:	981m/s <sup>2</sup> (100G) for 6ms
*Acceleration severity:	490m/s <sup>2</sup> (50G)

\* Tested with latched connectors.

# Pin Numbering



All dimensions in mm.