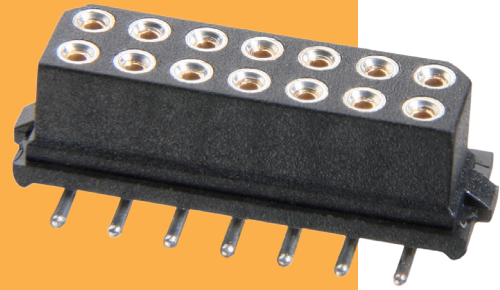


Datamate L-Tek Connectors

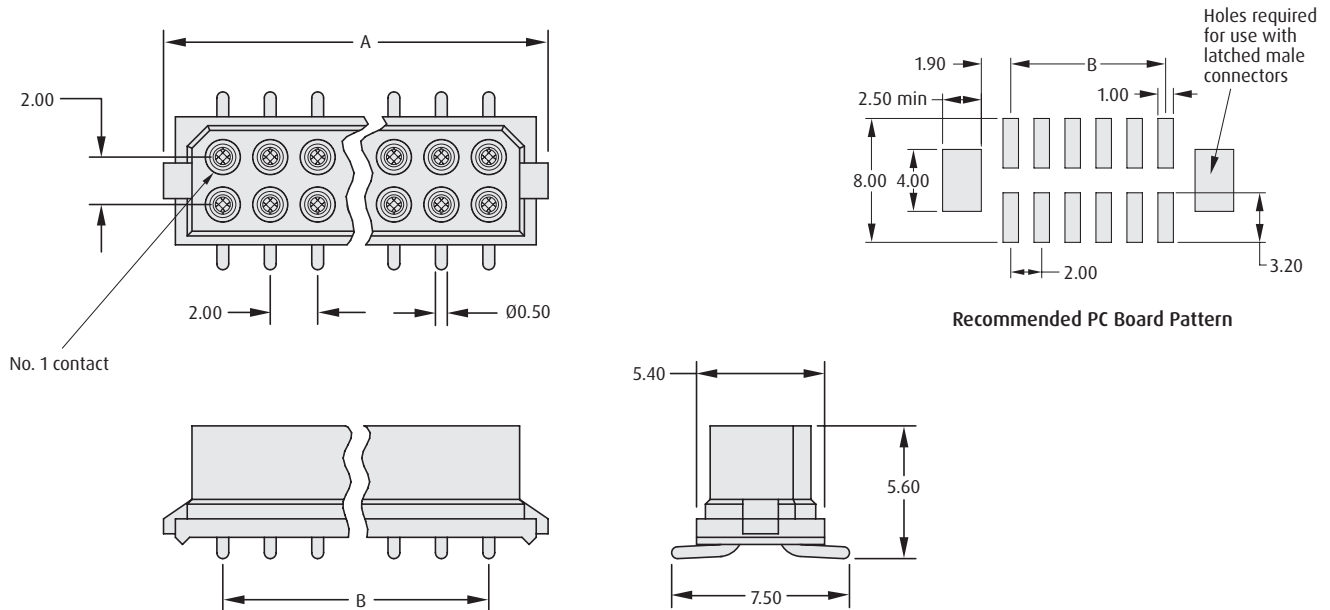
Female Vertical Surface Mount

- ❖ Optional pick and place cap.
- ❖ Gull wing SMT tails simplify inspection process.



DATAMATE L-TEK

DOUBLE ROW



CALCULATION	
A	$B + 5.15$
B	Total no. of contacts - 2

HOW TO ORDER

M80 - 681 XX XX P

SERIES CODE

TOTAL NO. OF CONTACTS
04, 06, 08, 10, 12, 14, 16, 18, 20, 26, 34, 44

PICK AND PLACE CAP	
BLANK	No cap
P	Pick and place cap

FINISH	
42	Gold + Tin
45	Gold

All dimensions in mm.