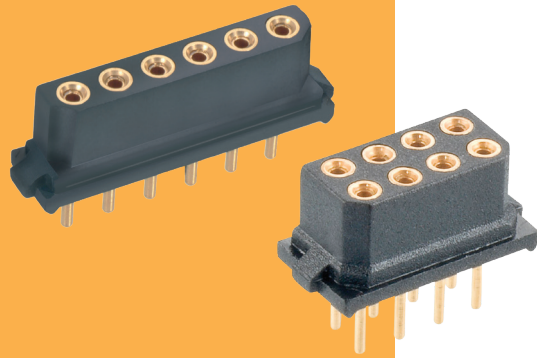


Datamate L-Tek Connectors

DATAMATE L-TEK

Female Vertical Throughboard

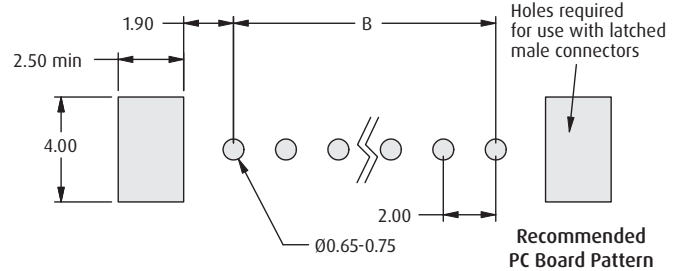
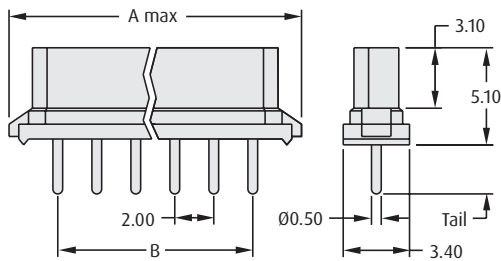
- Polarized housings.
- Dummy contacts are available for additional polarization, use **order code M80-023**.



SINGLE ROW

CALCULATION

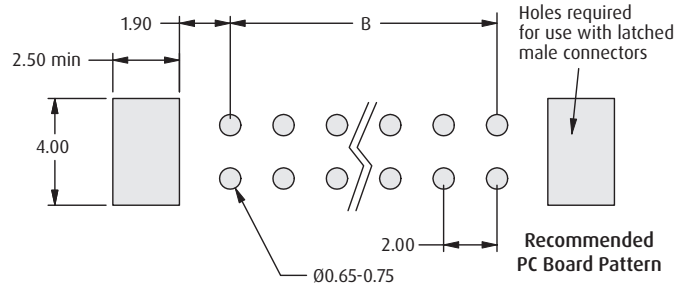
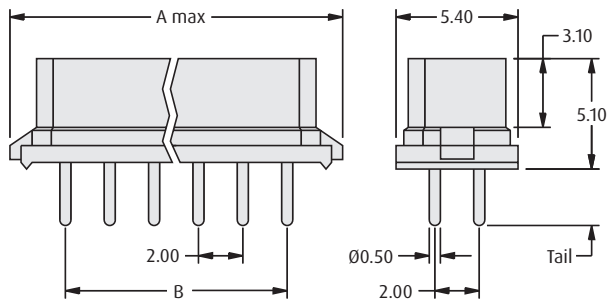
A	$B + 5.15$
B	$(\text{Total no. of contacts} - 1) \times 2$



DOUBLE ROW

CALCULATION

A	$B + 5.15$
B	$\text{Total no. of contacts} - 2$



HOW TO ORDER

M80 - XXX XX XX

SERIES CODE

TYPE

840	Single Row (3mm tail)
850	Double Row (3mm tail)
790	Single Row (4.5mm tail)
770	Double Row (4.5mm tail)

FINISH

42	Gold + Tin
45	Gold

TOTAL NO. OF CONTACTS

02 to 07, 17, 22	Single Row
04, 06, 08, 10, 12, 14, 16, 18, 20, 26, 34, 44	Double Row

All dimensions in mm.