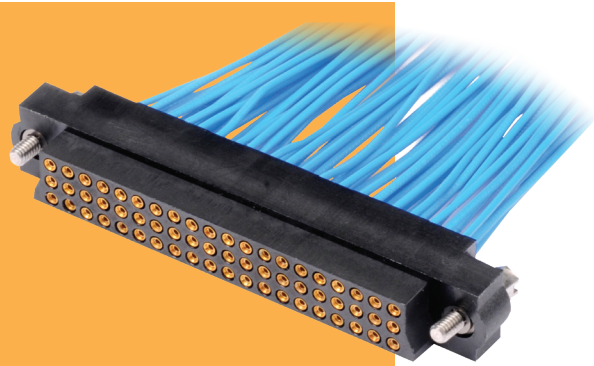


Datamate J-Tek 3-Row Connectors

DATAMATE J-TEK 3-ROW

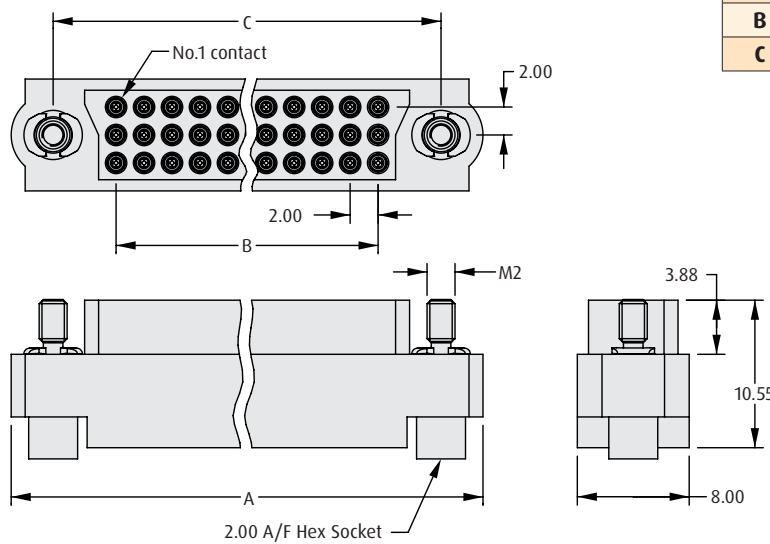
Female Crimp Kit

- Part numbers are for a complete kit of a housing and the applicable number of contacts.
- Jackscrews are assembled where specified.
- Crimp contacts are rear insertable.
- Low-force 4-finger Beryllium Copper contact clip.
- Spare contacts are available.



FEMALE CRIMP

CALCULATION



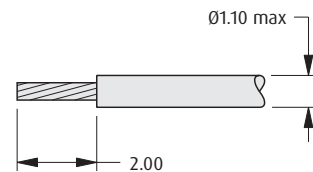
A	B + 15
B	(Total no. of contacts - 3) x 2/3
C	B + 9

TOOLS

Recommended Crimp Tool - M22520/2-01
Positioner - T5747
Contact Insertion/Removal Tool - Z80-280

- Spare contacts shown on following pages.
- Instruction sheets available at www.harwin.com/instructions.

WIRE STRIPPING DETAILS



HOW TO ORDER

M83 - LF X1 F2 N XX - 0000 - 000

SERIES CODE

TYPE

C1	Small Bore (24-28 AWG)
D1	Large Bore (22 AWG)

TOTAL NO. OF CONTACTS

18, 27, 36, 54, 60, 96

JACKSCREW

F2 Hex Socket Jackscrew

All dimensions in mm.