

Datamate J-Tek Connectors

DATAMATE J-TEK

Male Metal Backshell

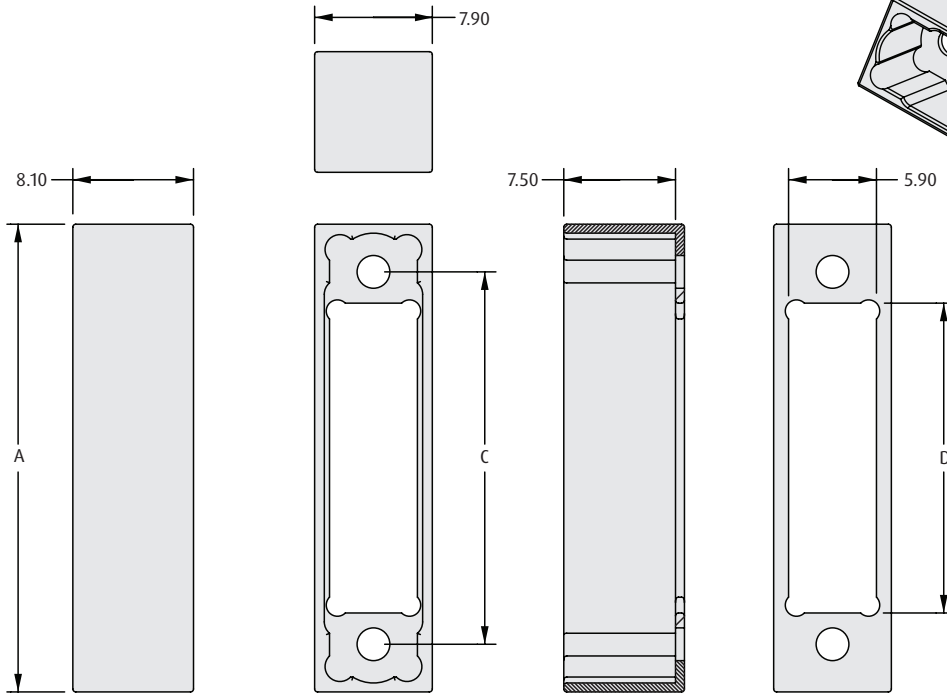
- ❖ Supplied as an accessory, to be used with existing male connectors.
- ❖ Can be fitted to either male vertical PCB connectors with board mount, or male cable connectors with panel mount jackscrews.
- ❖ Gives 360 degree shielding when mounted to a conductive panel and mated to a compatible female connector with metal backshell.



MALE

CALCULATION

A	$B + 13.7$
B	Equivalent no. of contacts - 2
C	$B + 7$
D	$B + 2.8$



HOW TO ORDER

M80 - 906 XX 02

SERIES CODE	FINISH	
	02	Nickel
EQUIVALENT NO. OF SIGNAL CONTACTS		
08 to 28, 32 to 50 (Even numbers only)		

All dimensions in mm.