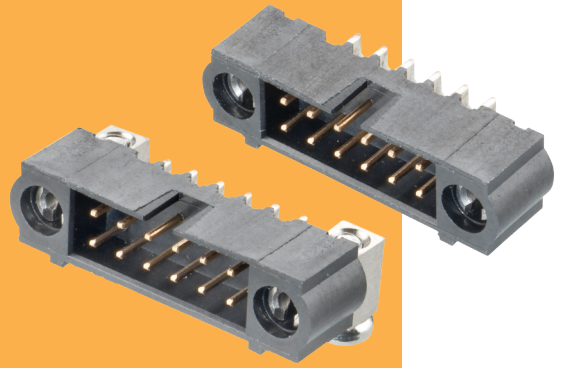


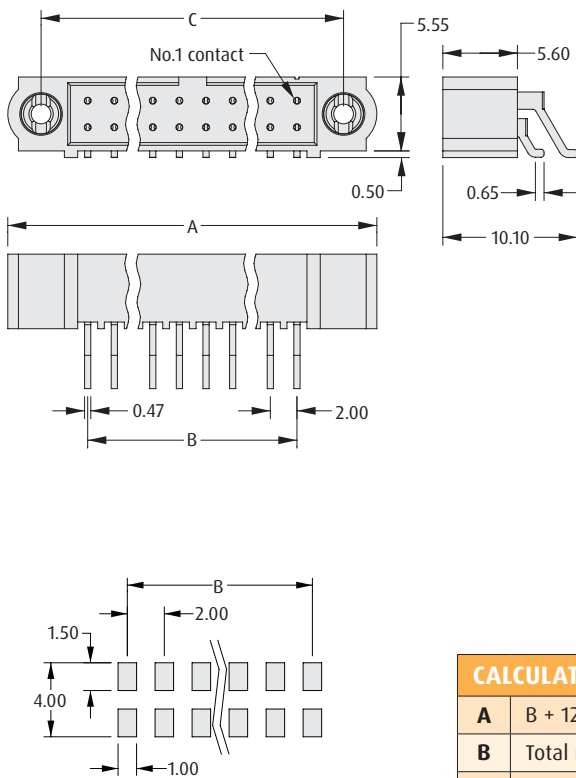
# Datamate J-Tek Connectors

## Male Horizontal Surface Mount 101Lok

- ❖ 101Lok fixing gives secure, fast and simple mating; no special tooling required. Just a simple 101-degree turn is required to fix the connectors together.
- ❖ Connectors mate with Datamate J-Tek female connectors with applicable 101Lok fixings.
- ❖ Board Mount provides PCB strain relief.
- ❖ Stamped contact ensures co-planarity.



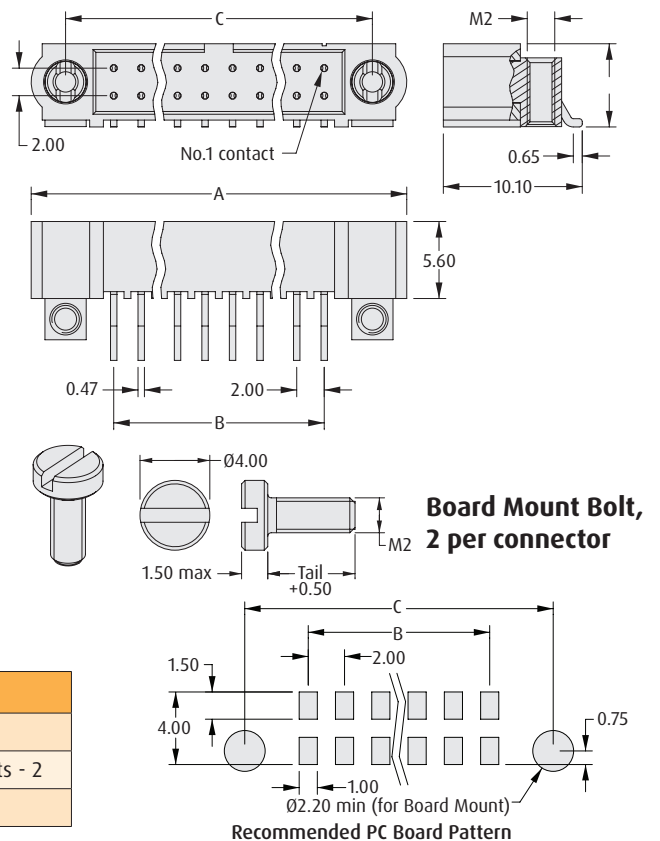
### 101LOK



Recommended PC Board Pattern

CALCULATION	
<b>A</b>	$B + 12$
<b>B</b>	Total no. of contacts - 2
<b>C</b>	$B + 7$

### 101LOK WITH BOARD MOUNT



Recommended PC Board Pattern

### HOW TO ORDER

**M80 - 5S2 XX XX MX**

SERIES CODE

TOTAL NO. OF CONTACTS

04, 06, 08, 10, 12, 14, 20, 26, 34, 42, 50

JACKSCREW

<b>MC</b>	101Lok
<b>MD</b>	101Lok with Board Mount

FINISH

<b>05</b>	Gold
<b>42</b>	Gold + Tin

All dimensions in mm.