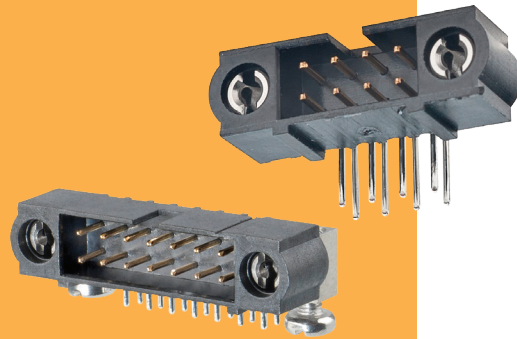


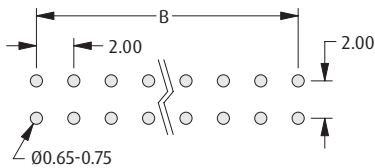
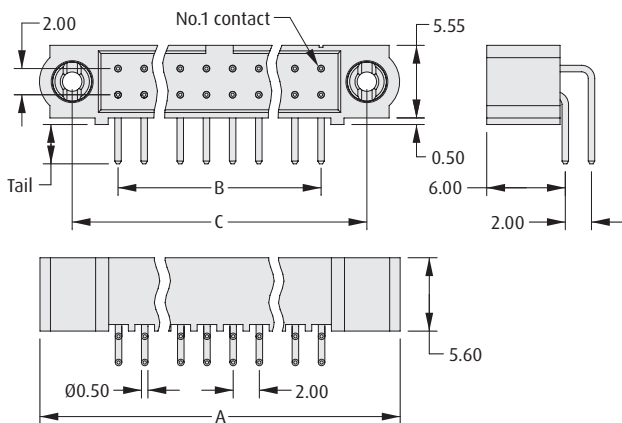
Datamate J-Tek Connectors

Male Horizontal Throughboard 101Lok

- ❖ 101Lok fixing gives secure, fast and simple mating; no special tooling required. Just a simple 101-degree turn is required to fix the connectors together.
- ❖ Connectors mate with Datamate J-Tek female connectors with applicable 101Lok fixings.
- ❖ Board Mount provides PCB strain relief.
- ❖ Choice of throughboard termination length.



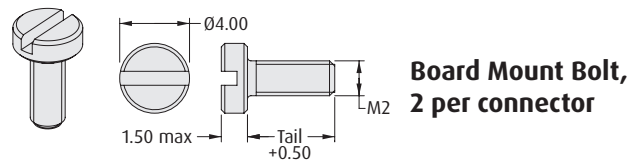
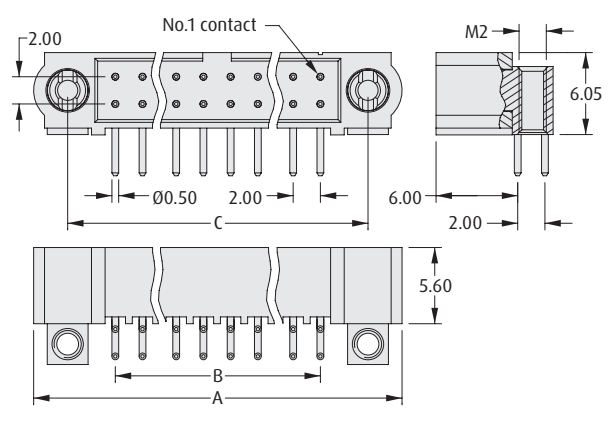
101LOK



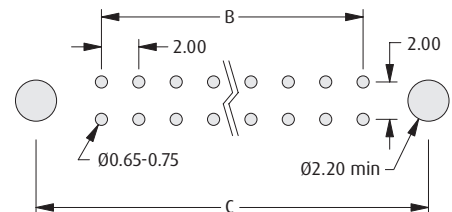
Recommended PC Board Pattern

CALCULATION	
A	$B + 12$
B	Total no. of contacts - 2
C	$B + 7$

101LOK WITH BOARD MOUNT



Board Mount Bolt, 2 per connector



Recommended PC Board Pattern

HOW TO ORDER

M80 - 5 LX XX XX MX

SERIES CODE

TYPE

L1	3mm Tails
L2	4.5mm Tails

TOTAL NO. OF CONTACTS

04, 06, 08, 10, 12, 14, 20, 26, 34, 42, 50

JACKSCREW

MC	101Lok
MD	101Lok with Board Mount

FINISH

05	Gold
42	Gold + Tin

All dimensions in mm.